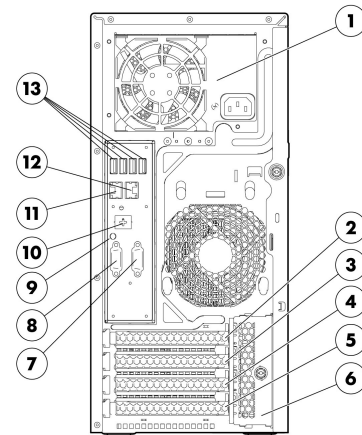
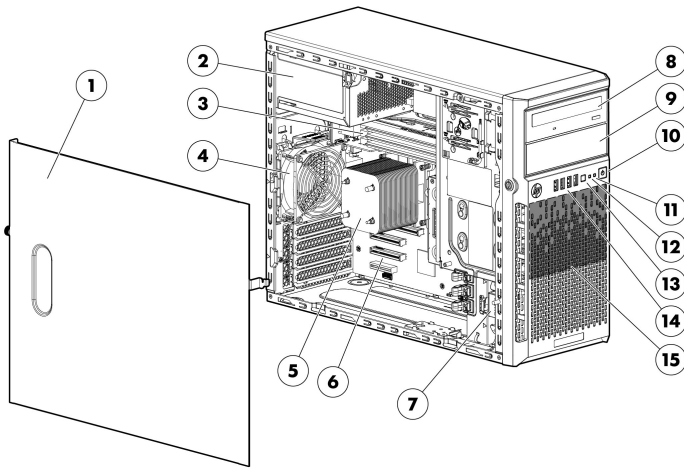


Overview

HP ProLiant ML310e Gen8, a single-socket 4U tower server, delivers essential availability and expansion needed to accommodate changing business needs. It is ideal for remote sites and corporate branch offices running file/print, web messaging, and small vertical applications or databases.



Front View:

1. Quick removal access panel
2. Power Supply
3. Four DIMM slots
4. System fan
5. Processor Heatsink
6. Four (4) PCIe expansion slots
7. PCI Fan
8. Half Height SATA DVD-ROM or DVD RW Optical Drive
9. Media Drive Blank
10. Power Button
11. NIC Activity LED
12. System Health
13. UID LED button
14. Four (4) USB connectors
15. Four (4) LFF or Eight (8) SFF SAS/SATA HDD cage

Rear View:

1. Power supply
2. Slot 4 PCIe16
3. Slot 3 PCIe8
4. Slot 2 PCIe8
5. Slot 1 PCIe4
6. PCIe card bracket
7. Serial Connector
8. Video Connector
9. UID LED Button
10. iLO Dedicated Lan Port (optional)
11. NIC Connector 1 (shared management)
12. NIC Connector 2
13. Four (4) USB Connectors

What's New

- New Entry BTO Model provides an even more affordable ML310e Gen8 server configuration
- Support for new Intel Pentium and Celeron Ivy Bridge processors

Standard Features

NOTE: For the Standard Features shipped in the "Factory Integrated Models", please see the "Configuration Information - Factory Integrated Models" section.

Processor

One of the following depending on Model

Entry Processors

NOTE: Intel® Celeron® G540 supports up to 1066MHz DDR3 memory speed. Intel® Celeron® G1610 and G1620 and Intel® Pentium® G860 and G2020 support up to 1333 MHz DDR3 memory speed. Celeron G540 processor, performance for 1600MHz memory is clocked down to 1066MHz. Celeron G1610, G1620 and Pentium G860 and G2020 processors, performance for 1600MHz memory is clocked down to 1333MHz.

Intel® Celeron® G540 (2.5GHz/2-core/2MB/65W) Processor

Intel® Celeron® G1610 (2.6GHz/2-core/2MB/55W) Processor

Intel® Celeron® G1620 (2.7GHz/2-core/2MB/55W) Processor

Intel® Pentium® G2020 (2.9GHz/2-core/3MB/55W) Processor

Intel® Pentium® G2120 (3.1GHz/2-core/3MB/55W) Processor

Intel® Pentium® G2130 (3.2GHz/2-core/3MB/55W) Processor

Base Processors

NOTE: All support up to 1600MHz DDR3 memory speeds.

Intel® Core™ i3-3220 (3.3GHz/2-core/3MB/65W, HT) Processor

Intel® Core™ i3-3240 (3.4GHz/2-core/3MB/65W, HT) Processor

Performance Processors

NOTE: All support up to 1600MHz DDR3 memory speeds.

Intel® Xeon® E3-1220Lv2 (2.3GHz/2-core/3MB/17W, HT)

Intel® Xeon® E3-1220v2 (3.1GHz/4-core/8MB/69W)

Intel® Xeon® E3-1230v2 (3.3GHz/4-core/8MB/69W, HT)

Intel® Xeon® E3-1240v2 (3.4GHz/4-core/8MB/69W, HT)

Intel® Xeon® E3-1270v2 (3.5GHz/4-core/8MB/69W, HT)

Intel® Xeon® E3-1280v2 (3.6GHz/4-core/8MB/69W, HT)

NOTE: HT indicates that the processor model supports Intel® Hyper-Threading Technology.

NOTE: DDR3 speed is the maximum memory speed of the processor. Actual memory speed may depend on the quantity and type of DIMMs installed (options for 1600, 1333, 1066MHz).

Cache Memory

One of the following depending on Model

8MB (1 x 8MB) L3 Cache

NOTE: For Quad-core Xeon processors.

3MB (1 x 3MB) L3 Cache

NOTE: For Dual-core Xeon, Core i3, and Pentium processors.

2MB (1 x 2MB) L3 Cache

NOTE: For Dual-core Celeron processors.

NOTE: All processor models above list the L3 Cache associated with that particular processor.

Standard Features

Chipset

Intel® C204 Chipset

NOTE: For more information regarding Intel® chipsets, please see the following URL:
<http://www.intel.com/products/server/chipsets/>.

Upgradeability

Upgradeable to 4 cores

NOTE: Total 2 or 4 cores

Up to 4 DIMM slots available for higher memory capacity

Up to 8 SFF Hard Drive Bays; Or 4 LFF Hard Drive Bays

1 x8 and 1 x16 PCIe 3.0 (depends on processor) and 1 x8 and 1x4 PCIe 2.0 I/O slots for additional communications and storage expansion

Redundant Power Supply

Optical Drive Bay (up to 2)

On System Management Processor

HP iLO (Firmware: HP iLO4)

NOTE: For more information, visit: <http://www.hp.com/go/ilo>

Memory Protection

ECC

Memory

One of the following depending on model

Type

HP SmartMemory

DDR3 Unbuffered (UDIMM)

DIMM Slots Available

4

Standard (Base Models)

2GB (1 x 2GB) PC3-12800E DDR3 UDIMM

Standard (Performance Models)

4GB (1 x 4GB) PC3-12800E DDR3 UDIMM

Maximum Capacity (UDIMM)

32 GB (4 x 8 GB UDIMM @1600MHz)

NOTE: HP memory from previous generation servers are not fully compatible with the HP ProLiant ML310e Gen8 Server.

NOTE: Depending on the memory configuration and processor model, the memory speed may run at 1600MHz, 1333MHz, or 1066MHz. Please see Memory Population Table or the Online Memory Configuration Tool at: www.hp.com/go/ddr3memory-configurator.

Network Controller

HP Ethernet 1Gb 2-port 330i Adapter

Standard Features

Expansion Slots

| Expansion Slot # | Technology | Bus Width* | Connector Width | Form Factor | Notes |
|------------------|------------|------------|-----------------|-------------------------|-------|
| 4 | PCIe 3.0 | X8 | X16 | Full Length/Full Height | |
| 3 | PCIe 3.0 | X8 | X8 | Full Length/Full Height | |
| 2 | PCIe 2.0 | X4 | x8 | Full Length/Full Height | |
| 1 | PCIe 2.0 | X1 | X4 | Half Length/Full Height | |

*Indicates the number of physical electrical lanes running to the connector.

NOTE: PCIe Gen3 support with Intel Xeon E3-1200v2 family only.

HP Server ROM

HP ROM (Read Only Memory) is now digitally signed using HP's Corporate Signing Service. This signature is verified before the flash process starts, reducing accidental programming and preventing malicious efforts to corrupt system ROM.

HP ROM provides for essential initialization and validation of hardware components before control is passed to the customer-installed operating system. The ROM also provides the capability of booting from various fixed media (HDD, CD-ROM) and removable media (USB), to continue operation to the operating system.

HP ROM performs very early configuration of the video controller, to allow monitoring of initialization progress via an attached monitor. If configuration or hardware errors are discovered during this early phase of hardware initialization, suitable messages are now displayed on the connected monitor. Additionally, these configuration or hardware errors are logged to the Integrated Management Log (IML) to assist in diagnosis.

HP's ProLiant ROM is used to configure the following:

- Processor and chipset status registers
- System memory, memory map, and memory initialization
- System hardware configuration (Integrated PCI devices and optional PCIe cards).
- Customer-specific BIOS configuration (using the HP ROM-Based Setup Utility (RBSU)).

NOTE: For further information, please refer to HP's RBSU (ROM based setup utility) user guide:

www.hp.com/support/rbsu.

Standard Features

Storage Controller

HP Dynamic Smart Array B120i Controller

NOTE: Supports 3.0Gb/s SATA

NOTE: Supports RAID 0/1/10 only. No FBWC support. For FBWC, a standup Smart Array Controller card must be configured.

NOTE: For set up instructions, please refer to the HP ProLiant ML300 series server user guide.

NOTE: For general information about HP Smart Array B120i SATA RAID Controller, please go to:

<http://h18004.www1.hp.com/products/servers/proliantstorage/arraycontrollers/smartarrayb120i/index.html>

Internal Storage Devices

Optical Drives

One of the following depending on model

HP Half-Height SATA DVD-ROM Optical Drive

HP Half-Height SATA DVD-RW Optical Drive

Hard Drives

1x500GB NHP LFF SATA HDD included in Entry Model

None ship standard in Base and Performance Models

Hard Drive Bays

One of the following depending on model

4 LFF drive bays (non-hot-plug and hot-plug)

8 SFF hot-plug drive bays

NOTE: HP ProLiant ML310e Series servers offer both SFF, and LFF versions in CTO.

NOTE: All Pre-configured Models come populated with some hard drive blanks installed. Should the customer need additional hard drive blanks, they can order more using either P/N 666987-B21: HP SFF Gen8 Hard Drive Blank Kit or P/N 666986-B21: HP LFF Gen8 Hard Drive Blank Kit.

Maximum Internal Storage

One of the following depending on model

| | | |
|-----------------------|-------|-----------|
| Hot Plug LFF SAS | 16TB | 4 x 4TB |
| Hot Plug SFF SAS | 9.6TB | 8x 1.2 TB |
| Non Hot Plug LFF SAS | 2.4TB | 4 x 600GB |
| Hot Plug LFF SATA | 16TB | 4 x 4TB |
| Hot Plug SFF SATA | 8TB | 8 x 1TB |
| Non Hot Plug LFF SATA | 12TB | 4 x 3TB |
| Hot Plug SFF SATA SSD | 6.4TB | 8 x 800GB |
| Hot Plug LFF SATA SSD | 800GB | 4 x 800GB |

Interfaces

Serial 1 (rear)

Video 1 (rear)

Network RJ-45 (Ethernet) 2 (1 shared for HP Integrated Lights-Out)

HP iLO Remote Management Network Port 1 Gb Dedicated (Optional)

SD slot 1 (internal)

NOTE: The SD slot is not a hot-pluggable device. Customers should not attempt to plug an SD card into the SD slot while the server is powered.

USB 10 (4 front, 4 rear, 1 internal standard USB and 1 internal USB header)

Standard Features

| | |
|-------------------------------------|--|
| Industry Standard Compliance | ACPI 2.0b Compliant PCIe 3.0 Compliant PXE Support WOL Support Microsoft® Logo certifications USB 2.0 Support |
|-------------------------------------|--|

Server Power Cords

The ProLiant ML310e Gen8 server is a tower server that ships standard with a 6' country specific NEMA power cord that allows connection to wall outlets in a home or office. If customers require additional local power cords, they can check the power cord matrix for the appropriate country specific sku. Please see the following power cord matrix: <http://www.hp.com/go/powercordmatrix>. To install the ML310e Gen8 server in a rack, the Tower to Rack Conversion kit (417705-B21) is required as well as a PDU power cord (416151-B21) to connect to a PDU in a data center rack.

Power Specifications

To review typical system power requirements, use the HP Power Advisor which is available via download at URL: www.hp.com/go/proliant-energy-efficient or www.hp.com/go/hppoweradvisor.

NOTE: Power Specification and Technical Content for supported power supplies can be found at: http://h18000.www1.hp.com/products/quickspecs/14209_div/14209_div.html

Power Supplies

The ML310e Gen8 supports two power supplies, a 350W Multi-Output Power Supply and a 460W Common Slot Gold Power Supply. The 350W Multi-Output Power Supply is a non-redundant power supply with an efficiency rating of 85%.

HP's Common Slot (CS) power supplies allow for commonality of power supplies across a wide range of ProLiant and Integrity servers, as well as HP Storage solutions, and are designed to provide the highest power supply efficiency without degrading system performance. HP CS power supplies are tested by the Electric Power Research Institute (EPRI) and certified through the ECOS 80 Plus power supply program. The 460W HP CS power supply option provides an efficiency rating of up to 92%. All HP Common Slot power sources are UL, CE Mark Compliant, hot-plug and support redundant configurations.

NOTE: Mixing of power supplies in the same server is not supported. All power supplies must be of the same output and efficiency rating. If non-matched power supplies are inserted you will get errors and operation will fail.

It is highly recommended that you use the HP Power Advisor in defining the "Right-Size" power supply for your needs. HP Power Advisor can be accessed at: www.hp.com/go/hppoweradvisor.

NOTE: The 80 PLUS program is a unique forum that unites electric utilities, the computer industry, and consumers in an effort to bring energy efficient technology solutions to the marketplace. 80 Plus independently tests power supply efficiency and publicly posts the results on 80Plus.org.

Redundant Power: Optional (1 + 1 redundant) power supplies can be purchased through power supply option kits (see Power Supplies for part numbers).

NOTE: Power Specification and Technical Content for supported power supplies can be found at: http://h18000.www1.hp.com/products/quickspecs/14209_div/14209_div.html

Standard Features

System Fans One (1) Non-redundant system fan ships standard
One (1) Non-redundant PCIe fan ships standard

Operating Systems and Virtualization Software Support for ProLiant Servers [Microsoft Windows Server](#)
[Red Hat Enterprise Linux \(RHEL\)](#)
[SUSE Linux Enterprise Server \(SLES\)](#)
[VMware](#)

NOTE: For more information on HP's Certified and Supported ProLiant Servers for OS and Virtualization Software and latest listing of software drivers available for your server, please visit our Support Matrix at: <http://www.hp.com/go/ossupport> and our driver download page: <http://www.hp.com/support/ML310eGen8>.

Graphics Integrated Matrox G200 video standard

- 1280 x 1024 (32 bpp)
- 1920 x 1200 (16 bpp)

HP iLO 4 On System Management Memory

- 16 MB Flash
- 256 MB DDR 3 with ECC (112 MB after ECC and video)

Form Factor Micro ATX Tower (4U) chassis with feet/bezel:
[One of the following depending on model](#)

14.5" (36.82cm) Height x 6.89" (17.5cm) Width x 18.71" (47.52cm) Length

8 SFF Drive Bay Cage:
4.6" (11.72cm) Height x 5.74" (14.57cm) Width x 4.79" (12.16cm) Length

4 LFF Drive Bay Cage:
4.6" (11.72cm) Height x 5.74" (14.57cm) Width x 6.90" (17.54cm) Length

Standard Features

On System Management HP iLO Management Engine

HP iLO Management Engine is a comprehensive set of embedded management features supporting the complete lifecycle of the server, from initial deployment, through ongoing management, to service alerting and remote support. HP iLO Management Engine comes standard on all HP ProLiant Gen8 servers. The HP iLO Management Engine portfolio includes:

- **HP iLO:** The HP iLO (Integrated Lights-Out) management processor is the core foundation for the HP iLO Management Engine
- **HP Agentless Management:** Provides built in server health monitoring and alerting capability without OS agents, that starts working the moment a power cord and an Ethernet cable are connected.
- **HP Active Health System:** Always on, continuous monitoring for increased stability and shorter downtimes; 100% configuration history; Health and service alerts and easy export and upload to Service and Support.
- **HP Intelligent Provisioning:** Lets customers provision and configure a single server without any separate media. No more SmartStart CDs or Smart Update Firmware DVD are needed.
 - To start Intelligent Provisioning:
 - Press the F10 key during the ProLiant Gen8 server boot process (also known as power on self test or POST).
 - Please go to the Intelligent Provisioning website at www.hp.com/go/intelligentprovisioning for additional information and to view usage videos.
 - Use the Service Pack for ProLiant (SPP) at www.hp.com/go/spp to get firmware and software updates.
- **HP iLO Mobile App:** Enables the ability to access, deploy, and manage your server anytime from anywhere from select smartphones and mobile devices. For additional information please visit: www.hp.com/go/ilo/mobileapp

NOTE: For more information, visit: <http://www.hp.com/go/ilo> or HP iLO Management Engine technologies whitepaper

Standard Features

HP Insight Management HP Service Pack for ProLiant (SPP)

HP Service Pack for ProLiant (SPP) and HP Smart Update Manager (HP SUM) version 5 provide a new, comprehensive approach to firmware and system software maintenance. Together they provide better operating stability and ensure maximum uptime. The SPP will be updated at a predictable cadence, typically coinciding with new HP server hardware launches. By enabling all firmware to be updated online and integrating firmware and system software updates in one operation HP SUM and the SPP offer faster updates of individual servers and dramatically faster updates of entire BladeSystem enclosures. Further improving system uptime and stability is the fact that HP provides 12 months of support on each Service Pack for ProLiant.

The user experience around HP SUM and the SPP has been improved in several ways, starting with the web download. A single web page provides access to a single download containing both the latest version of HP SUM version 5 and the latest SPP. Optional smaller subsets with only specific types of servers or specific operating systems are offered to save on download time. The HP SUM application has been re-written to provide a more straightforward, intuitive user interface that guides the user through the steps of discovery, analyses and update, providing comprehensive information on available updates, criticality and interdependencies. This information is also available in reports. By providing the option of multiple local or shared repositories which can be easily updated from hp.com, HP SUM provides the tools to optimize stability and consistency throughout the company. While HP SUM and the SPP will recommend the combinations of firmware and system software that HP has found to be the best practice, the application gives customers the flexibility to set their own specific baseline.

The Service Pack for ProLiant has been rigorously tested with specific attention for interaction between firmware, drivers and agents both within the server as well as in interaction with the BladeSystem enclosure components (Onboard Administrator and Virtual Connect). This testing ensures the highest quality as well as providing the input for HP SUM to deploy updates taking into account all interdependencies, when determining the correct updates and order of update deployment.

NOTE: The Service Pack for ProLiant (which includes HP SUM 5) can be downloaded from www.hp.com/go/spp/download. More information can be found: www.hp.com/go/spp and <http://www.hp.com/go/hpsum>

Security

Power-on password
Administrator's password

Standard Features

Warranty

This product is covered by a global limited warranty and supported by HP Services and a worldwide network of HP Authorized Channel Partners resellers. Hardware diagnostic support and repair is available for three years from date of purchase. Support for software and initial setup is available for 90 days from date of purchase. Enhancements to warranty services are available through HP Care Pack services or customized service agreements. Hard drives have either a one year or three year warranty; refer to the specific hard drive QuickSpecs for details.

NOTE: Server Warranty includes 1-Year Parts, 1-Year Labor, 1-Year Onsite support with next business day response. (3-1-1 warranty offered in Brazil only). Warranty repairs may be accomplished through the use of Customer Self Repair (CSR) parts. These parts fall into two categories: 1) Mandatory CSR parts are designed for easy replacement. A travel and labor charge will result when customers decline to replace a Mandatory CSR part; 2) Optional CSR parts are also designed for easy replacement but may involve added complexity. Customers may choose to have HP replace Optional CSR parts at no charge. Additional information regarding worldwide limited warranty and technical support is available at: <http://h18004.www1.hp.com/products/servers/platforms/warranty/index.html>

Optional Features

| | | |
|------------------------------|--------------------|--|
| HP Insight Management | HP Insight Control | <p>HP Insight Control, a product option, delivers essential infrastructure management that can help save time and money by making it easy to deploy, migrate, monitor, remote control, and optimize your IT infrastructure through a single, simple management console. HP Insight Control also supports Location and Power Discovery Services to automate many configuration, asset tracking, and power management tasks to speed implementation and prevent downtime. For more information, see http://www.hp.com/go/insightcontrol.</p> <p>HP Insight Control includes one year of 24 x 7 HP Software Technical Support and Update Service ensuring rapid access to HP support staff and proactive delivery of software updates. For more information about this service, see: http://www.hp.com/services/insight.</p> |
| | HP iLO Advanced | <p>HP Integrated Lights-Out Advanced License a product option, providing smart remote server management without compromise. iLO Advanced unlocks the full set of remote administration functionality for all HP ProLiant servers by activating the full Virtual Keyboard Video and Mouse remote console, multi-user collaboration, console record and replay, GUI-based and scripted virtual media and virtual folders, and enhanced security and power management functionality. For more information, see: http://www.hp.com/go/iloadvance</p> |
| | HP iLO Essentials | <p>HP iLO Essentials license ideal for small and medium business customers. The specially created HP iLO Essentials (a subset of iLO Advanced functionality) saves SMB customers time and money, by ease of remote server set up through the interactive virtual media, lowering operational costs with remote access via the Integrated Remote Console, and faster time to resolution with email-based proactive notifications. With this newly designed HP iLO Essentials license you now have the option of offering your SMB customers a server management package solely design and priced for their small business environments.</p> <p>HP iLO Essentials is available on all HP ProLiant Gen8 e-series making this an ideal solution for small business owners.</p> |

Storage Software

Whether you need to solve a specific data protection, archiving, or storage command and control challenge, or deliver on strategic consolidation, compliance, or continuity initiatives, look no further than HP storage software. Our storage software helps you reduce costs, simplify storage infrastructure, protect vital assets and respond faster to business opportunities.

Storage software that gets the job done:

- **Data Protection and Recovery Software**

Whether you're a large enterprise or a smaller business, HP data protection and recovery software will cost-effectively protect you against disaster and ensure business continuity.

- **Data Archive and Migration Software**

HP's storage software enables you to comply with data retention and retrieval requirements, improve application performance, and reduce costs by efficiently migrating infrequently accessed or less valuable data to lower cost storage.

- **Storage Resource Management Software (SRM)**

HP's storage resource management software reduces operational costs and provides the command and control foundation you need to efficiently manage and visualize your physical and virtual

Optional Features

environments.

- **Data Replication Software**

HP offers array-based and host-based replication software for use in disaster recovery, testing, application development and reporting.

- **Storage Device Management Software**

Maximize your investment in HP storage and networking with software that enables hardware-specific configuration, performance tuning and connectivity management.

- **HP StoreVirtual VSA**

With HP StoreVirtual VSA you can use the power of virtualization to turn a set of heterogeneous and disconnected physical disk drives in your servers and storage devices into a single pool of logical storage capacity.

NOTE: For more information available Storage Software including QuickSpecs, please see: www.hp.com/go/storage/software.

HP Insight Online

HP Insight Online is a new addition to the HP Support Center for one stop, secure access to product and HP support information personalized to your IT environment. Insight Online can automatically display devices remotely monitored by HP Insight Remote Support. With Insight Online's easy navigation you can efficiently track your IT support contracts and device status from anywhere and at anytime.

www.hp.com/go/insightonline

HP Proactive Insight experience

Prevent problems with innovative, automated monitoring tools and proactive services. The HP Proactive Insight experience consist of using Insight Online, Insight Remote Support, and Proactive Care Support Service as one integrated solution. The Proactive Insight experience provides you with expert advice and personalized, cloud-based automated IT support, helping to prevent unplanned down time and solve problems quickly. For more information, visit: www.hp.com/go/proactiveinsightexperience

Factory Express Portfolio for Servers and Storage

HP Factory Express offers configuration, customization, integration and deployment services for HP servers and storage products. Customers can choose how their factory solutions are built, tested, integrated, shipped and deployed.

Factory Express offers service packages for simple configuration, racking, installation, complex configuration and design services as well as individual factory services, such as image loading, asset tagging, and custom packaging. HP products supported through Factory Express include a wide array of servers and storage: HP Integrity, HP ProLiant, HP ProLiant Server Blades, HP BladeSystem, HP 9000 servers as well as the MSAxxxx, VA7xxx, EVA, XP, rackable tape libraries and configurable network switches.

For more information on Factory Express services for your specific server model please contact your sales representative or go to: <http://www.hp.com/go/factory-express>

HP Simple Configurator

The HP eConfigure Enterprise Configurator now provides factory default racking for our HP hardware portfolio. This approach is aligned with our strategic direction to meet the needs and expectations of our valued customers. If you require "custom" rack configuration, please contact HP's Customer Business Center or an Authorized Partner for assistance. For additional information please visit:

<http://www.hp.com/products/configurator>

Service and Support

Service and Support

HP Technology Services for Industry Standard Servers and BladeSystem

Capitalizing on HP ProLiant server and HP BladeSystem capabilities requires a service partner who understands your increasingly complex business technology environment. That's why it makes sense to team up with the people who know HP infrastructure hardware and software best - the experienced professionals at HP Services.

What HP ProLiant and BladeSystem Services can do for you

HP ProLiant and BladeSystem Services can help you design, deploy, test, integrate, support, and manage IT and infrastructure solutions. This way, HP proposes services solutions that include more than just uplift of base warranty. Foundation Care services deliver scalable support-packages for HP industry-standard servers and software. You can choose the type and level of service that is most suitable for their business needs. New to this portfolio is HP Collaborative Support. If you are running business critical environments, HP offers Proactive Care or Critical Advantage. These services help deliver high levels of application availability through proactive service management and advanced technical response

You can get the support you need by choosing from one of a number of service packaged solutions we have designed to address wider set of customer support needs.

HP Technology Services meets business challenges with services offered in three support recommendations - **Optimized Care, Standard Care, and Basic Care** - available for each product group.

Such support solutions enable customers to optimize technology operations, minimize risk and drive better business outcomes with easy-to-buy, easy-to-use scalable support recommendations for servers, storage, networking and software.

All three service recommendations include support services from the broader portfolio of Foundation Care and Proactive Care services.

Optimized Care

Optimized Care: Supports maintaining servers at optimum performance availability

HP ProLiant Server Hardware Installation

Provides for the basic hardware installation of HP branded servers, storage devices and networking options to assist you in bringing your new hardware into operation in a timely and professional manner

<http://h20195.www2.hp.com/V2/GetPDF.aspx/5981-9356EN.pdf>

HP Installation and Startup for Insight Control Software / HP SIM

Provides for the deployment and basic configuration of HP Insight Control or HP SIM (Systems Insight Manager) on HP ProLiant ML and DL series servers or HP BladeSystem servers

<http://h20195.www2.hp.com/v2/GetPDF.aspx/4AA0-9972ENW.pdf>

3-Year HP 24x7 4 hour Response, Proactive Care or Critical Advantage

Helps optimize your systems and delivers high levels of application availability through proactive service management and advanced technical response. A skilled Technical Manager will own your query or issue end to end until resolved, delivering a single point of contact for you

Additional Services: Factory Express, Education Services, Proactive Select - 30 Credits

Standard Care

Standard Care: Service recommendation that maintains high level of server availability

HP ProLiant Server Hardware Installation

Provides for the basic hardware installation of HP branded servers, storage devices and networking options to assist you in bringing your new hardware into operation in a timely and professional manner

<http://h20195.www2.hp.com/V2/GetPDF.aspx/5981-9356EN.pdf>

Service and Support

HP Installation and Startup for Insight Control Software / HP SIM

Provides for the deployment and basic configuration of HP Insight Control or HP SIM (Systems Insight Manager) on HP ProLiant ML and DL series servers or HP BladeSystem servers

<http://h20195.www2.hp.com/v2/GetPDF.aspx/4AA0-9972ENW.pdf>

3-Year HP 24x7 4 hour Response, Collaborative Support

Provides problem resolution support across the stack of HW, firmware, and HP and 3rd party SW. In case the issue is with 3rd party SW, HP does known issue resolution. If HP cannot solve the issue, it will contact the third-party vendor and create a problem incident on your behalf.

<http://h20195.www2.hp.com/V2/GetPDF.aspx/4AA3-8232ENW.pdf>

Additional Services: Software support service with 24X7 availability with a 2 hour response, Training courses on Microsoft, Linux (Red Hat and SUSE), VMware, and HP Insight Software, 10 Proactive Select Credits, Factory Express

<http://www8.hp.com/us/en/business-services/it-services.html?compURI=1078865>

Basic Care

Basic Care: delivers minimum recommended support service level

HP ProLiant Server Hardware Installation

Provides for the basic hardware installation of HP branded servers, storage devices and networking options to assist you in bringing your new hardware into operation in a timely and professional manner

<http://h20195.www2.hp.com/V2/GetPDF.aspx/5981-9356EN.pdf>

3-Year HP 24x7 4 hour Response, Hardware Support Onsite Service

Provides you with rapid remote support and if required an HP authorized representative who will arrive on site any time and day of the year to begin hardware maintenance service within 4 hours of the service request being logged.

<http://h20195.www2.hp.com/V2/GetPDF.aspx/5982-6547EEE.pdf>

Additional Services: Factory Express, Education Services, Proactive Select - 10 Credits

Insight Remote Support

Provides 24 X 7 remote monitoring, proactive notifications, and problem resolution. Learn more

<http://www.hp.com/go/insightremotesupport>

HP Support Center

Personalized online support portal with access to information, tools and experts to support HP business products. Submit support cases online, chat with HP experts, access support resources or collaborate with peers. Learn more

<http://www.hp.com/go/hpsc>

HP's Support Center Mobile App* allows you to resolve issues yourself or quickly connect to an agent for live support. Now, you can get access to personalized IT support anywhere, anytime.

HP Insight Remote Support and HP Support Center are available at no additional cost with a HP warranty, HP Care Pack or HP contractual support agreement.

***HP Support Center Mobile App is subject to local availability**

Warranty / Service Coverage

For ProLiant servers and storage systems, the services cover HP-branded hardware options qualified for the server, purchased at the same time or afterward, internal to the enclosure, as well as external monitors up to 22" and tower UPS products; these items will be covered at the same service level and for the same coverage period as the server unless the maximum supported lifetime and/or the maximum usage limitation has been exceeded. Coverage of the UPS battery is not included; standard warranty terms and conditions apply.

The defective media retention service feature option applies only to Disk or eligible SSD/Flash Drives

Service and Support

replaced by HP due to malfunction. It does not apply to any exchange of Disk or SSD/Flash Drives that have not failed. SSD/Flash Drives that are specified by HP as consumable parts and/or that have exceeded maximum supported lifetime and/or the maximum usage limit as set forth in the manufacturer's operating manual or the technical data sheet are not eligible for the defective media retention service feature option.

For more information

To learn more on HP ProLiant servers and HP BladeSystem servers, please contact your HP sales representative or HP Authorized Channel Partner. Or visit: <http://www.hp.com/services/proliant>

Pre-configured Models

NOTE: For the Standard Features shipped in the "Factory Integrated Models", please see the "Configuration Information - Factory Integrated Models" section.

NOTE: Pre-configured models ship with the configurations below. Options can be selected from the Core or Additional options section of this QuickSpecs.

NOTE: HP does not allow factory integration of options into pre-configured models. Any additional options purchased will be shipped separately.

NOTE: If you desire a custom configuration please see "Configuration Information - Factory Integrated Models" section of this QuickSpecs.

NOTE: Maximum speed supported depends on the CPU installed.

Please see Memory Population Table or the Online Memory Configuration Tool at: www.hp.com/go/ddr3memory-configurator.

NOTE: All Pre-configured Models come populated with some hard drive blanks installed. Should the customer need additional hard drive blanks, they can order more using either P/N 666987-B21: HP SFF Gen8 Hard Drive Blank Kit or P/N 666986-B21: HP LFF Gen8 Hard Drive Blank Kit.

NOTE: Not all models are available in all regions. Check with your local country HP offices for availability.

Entry Models

| | | |
|--|---------------------------|--|
| HP ProLiant ML310e Gen8 G2020 2GB-U Non-hot Plug LFF 350W PS Server 721546-xx1 | Processor(s) | (1) Intel® Pentium® G2020 (2.9GHz/2-core/3MB/55W) Processor |
| | Cache Memory | 3MB (1 x 3MB) L3 cache |
| | Memory | 2GB (1 x 2GB) PC3-12800E DDR3 UDIMM |
| | Network Controller | HP Ethernet 1Gb 2-port 330i Adapter |
| | Storage Controller | HP Dynamic Smart Array B120i Controller |
| | Hard Drive | None ship standard |
| | Internal Storage | 4 LFF NHP SAS/SATA HDD cage; includes 4 LFF hard drive blanks |
| | Optical Drive | None ship standard |
| | Power Supply | HP 350W Multi-Output Power Supply NOTE: The standard power supply for the Entry Model is an 85% efficient Multi-Output Power Supply. It is a non-redundant, not-hot-plug power supply. |
| | Fans | One (1) Non-redundant system fan ships standard One (1) Non-redundant PCIe fan ships standard |
| | Management | HP iLO Management Engine (standard on shared system NIC) Optional: HP Insight Control |
| | Form Factor | Micro ATX Tower (4U) |
| | Warranty | Server Warranty includes 1-Year Parts, 1-Year Labor, 1-Year Onsite support with next business day response (3-1-1 warranty offered in Brazil only). |

Pre-configured Models

| | | |
|---|---------------------------|--|
| HP ProLiant ML310e Gen8 i3-3220 1P 2GB-U Non-hot Plug LFF 350W PS Entry Server 674785-xx1 | Processor(s) | (1) Intel® Core® i3-3220 (3.3GHz/2-core/3MB/65W, HT) Processor |
| | Cache Memory | 3MB (1 x 3MB) L3 cache |
| | Memory | 2GB (1 x 2GB) PC3-12800E DDR3 UDIMM |
| | Network Controller | HP Ethernet 1Gb 2-port 330i Adapter |
| | Storage Controller | HP Dynamic Smart Array B120i Controller |
| | Hard Drive | 1x500GB NHP LFF SATA |
| | Internal Storage | 4 LFF NHP SAS/SATA HDD cage; includes 3 LFF hard drive blanks |
| | Optical Drive | HP Half-Height 16x SATA DVD-ROM |
| | Power Supply | HP 350W Multi-Output Power Supply NOTE: The standard power supply for the Entry Model is an 85% efficient Multi-Output Power Supply. It is a non-redundant, not-hot-plug power supply. |
| | Fans | One (1) Non-redundant system fan ships standard One (1) Non-redundant PCIe fan ships standard |
| | Management | HP iLO Management Engine (standard on shared system NIC) Optional: HP Insight Control |
| | Form Factor | Micro ATX Tower (4U) |
| | Warranty | Server Warranty includes 1-Year Parts, 1-Year Labor, 1-Year Onsite support with next business day response (3-1-1 warranty offered in Brazil only). |

Base Models

| | | |
|--|---------------------------|---|
| HP ProLiant ML310e Gen8 E3-1220v2 1P 2GB-U Hot Plug 4 LFF 460W PS Base Server 674786-xx1 | Processor(s) | (1) Intel® Xeon® E3-1220v2 (3.1GHz/4-core/8MB/69W) Processor |
| | Cache Memory | 8MB (1 x 8MB) L3 cache |
| | Memory | 2GB (1 x 2GB) PC3-12800E DDR3 UDIMM |
| | Network Controller | HP Ethernet 1Gb 2-port 330i Adapter |
| | Storage Controller | HP Dynamic Smart Array B120i Controller |
| | Hard Drive | None ship standard |
| | Internal Storage | 4 LFF SAS/SATA HDD cage; includes 4 LFF hard drive blanks |
| | Optical Drive | HP Half-Height 16x SATA DVD-ROM |
| | Power Supply | HP 460W Common Slot Gold Hot Plug Power Supply |
| | Fans | One (1) Non-redundant system fan ships standard One (1) Non-redundant PCIe fan ships standard |
| | Management | HP iLO Management Engine (standard on shared system NIC) Optional: HP Insight Control |
| | Form Factor | Micro ATX Tower (4U) |
| | Warranty | Server Warranty includes 1-Year Parts, 1-Year Labor, 1-Year Onsite support with next business day response (3-1-1 warranty offered in Brazil only). |

Pre-configured Models

Performance Models

NOTE: These Models are Energy Star Certified.

| | | |
|--|---------------------------|---|
| HP ProLiant ML310e Gen8 E3-1240v2 1P 4GB-U Hot Plug SATA 4 LFF 460W PS Perf Svr 674787-xx1 | Processor(s) | (1) Intel® Xeon® E3-1240v2 (3.4GHz/4-core/8MB/69W, HT) Processor |
| | Cache Memory | 8MB (1 x 8MB) L3 cache |
| | Memory | 4GB (1 x 4GB) PC3-12800E DDR3 UDIMM |
| | Network Controller | HP Ethernet 1Gb 2-port 330i Adapter |
| | Storage Controller | HP Dynamic Smart Array B120i Controller |
| | Hard Drive | None ship standard |
| | Internal Storage | 4 LFF SAS/SATA HDD cage; includes 4 LFF hard drive blanks |
| | Optical Drive | HP Half-Height 16x SATA DVD-RW |
| | Power Supply | HP 460W Common Slot Gold Hot Plug Power Supply |
| | Fans | One (1) Non-redundant system fan ships standard One (1) Non-redundant PCIe fan ships standard |
| | Management | HP iLO Management Engine (standard on shared system NIC) Optional: HP Insight Control |
| | Energy Star | Meets Energy Star requirements |
| | Form Factor | Micro ATX Tower (4U) |
| | Warranty | Server Warranty includes 1-Year Parts, 1-Year Labor, 1-Year Onsite support with next business day response (3-1-1 warranty offered in Brazil only). |

Country Code Key

xx=00
xx=01
xx=03
xx=04
xx=05
xx=37
xx=42
xx=AA

Tower Code Key

US
Australia
UK
Germany
France
APD
Europe
PRC

Configuration Information - Factory Integrated Models

NOTE: This section lists some of the steps required to configure a Factory Integrated Model. To ensure only valid configurations are ordered, HP recommends the use of an HP approved configurator. Contact your local sales representative for information on configurable product offerings and requirements.

NOTE: Factory Integrated Models must start with a CTO Server.

NOTE: FIO indicates that this option is only available as a factory installable option.

NOTE: All Factory Integrated Models will be populated with sufficient hard drive blanks based on the number of initial hard drives ordered with the server.

Step 1: Base Configuration (choose one of the following configurable models)

| | | |
|------------------|---|------------|
| HP Models | HP ProLiant ML310e Gen8 Hot Plug 4 LFF Configure-to-order Server | 675241-B21 |
| | Factory Integrated Model ships with: HP Ethernet 1Gb 2-port 330i Adapter HP iLO Management Engine (standard on shared system NIC) HP Dynamic Smart Array B120i Controller (RAID 0/1/10) 4 ports for HDD NOTE: For set up instructions for HP Dynamic Smart Array B120i Controller please refer to the HP ProLiant ML300 series server user guide. NOTE: For general information about HP Dynamic Smart Array B120i Controller, please visit: http://h18004.www1.hp.com/products/servers/proliantstorage/arraycontrollers/smartarrayb120i/index.html Hot-Plug SAS/SATA 4 port cable PCA Power Cord Micro ATX Tower (4U) | |
| | HP ProLiant ML310e Gen8 Hot Plug 8 SFF Configure-to-order Server | 675242-B21 |
| | Factory Integrated Model ships with: HP Ethernet 1Gb 2-port 330i Adapter HP iLO Management Engine (standard on shared system NIC) Standup HP Smart Array Controller or Host Bus Adapter required PCA Power Cord Micro ATX Tower (4U) | |
| | HP ProLiant ML310e Gen8 Non-hot Plug 4 LFF Configure-to-order Server | 675240-B21 |
| | Factory Integrated Model ships with: HP Ethernet 1Gb 2-port 330i Adapter HP iLO Management Engine (standard on shared system NIC) HP Dynamic Smart Array B120i Controller (RAID 0/1/10) 4 ports for HDD NOTE: For set up instructions for HP Dynamic Smart Array B120i Controller please refer to the HP ProLiant ML300 series server user guide NOTE: For general information about HP Dynamic Smart Array B120i Controller, please visit: http://h18004.www1.hp.com/products/servers/proliantstorage/arraycontrollers/smartarrayb120i/index.html Nonhot-plug SAS/SATA 4 port cable PCA Power Cord Micro ATX Tower (4U) | |

Configuration Information - Factory Integrated Models

Step 2: Choose Required Options (only one of the following from each list unless otherwise noted)

HP Processors

Entry Processors

NOTE: Intel® Celeron® G540 supports up to 1066MHz DDR3 memory speed. Intel® Celeron® G1610 and G1620 and Intel® Pentium® G860 and G2020 support up to 1333 MHz DDR3 memory speed. Celeron G540 processor, performance for 1600MHz memory is clocked down to 1066MHz. Celeron G1610, G1620 and Pentium G860 and G2020 processors, performance for 1600MHz memory is clocked down to 1333MHz.

| | |
|--|------------|
| HP ML310e Gen8 Intel® Celeron G540 (2.5GHz/2-core/2MB/65W) FIO Processor Kit | 682804-L21 |
| HP ML310e Gen8 Intel® Celeron G1610 (2.6GHz/2-core/2MB/55W) FIO Processor Kit | 721960-L21 |
| HP ML310e Gen8 Intel® Celeron G1620 (2.7GHz/2-core/2MB/55W) FIO Processor Kit | 721958-L21 |
| HP ML310e Gen8 Intel® Pentium® G2020 (2.9GHz/2-core/3MB/55W) FIO Processor Kit | 721962-L21 |
| HP ML310e Gen8 Intel® Pentium® G2120 (3.1GHz/2-core/3MB/55W) FIO Processor Kit | 703746-L21 |
| HP ML310e Gen8 Intel® Pentium® G2130 (3.2GHz/2-core/3MB/55W) FIO Processor Kit | 721956-L21 |

Base Processors

NOTE: All support up to 1600MHz DDR3 memory speeds.

| | |
|---|------------|
| HP ML310e Gen8 Intel® Core™ i3-3220 (3.3GHz/2-core/3MB/55W) FIO Processor Kit | 700582-L21 |
| HP ML310e Gen8 Intel® Core™ i3-3240 (3.4GHz/2-core/3MB/55W) FIO Processor Kit | 700580-L21 |

Performance Processors

NOTE: All support up to 1600MHz DDR3 memory speeds.

| | |
|--|------------|
| HP ML310e Gen8 Intel® Xeon® E3-1220Lv2 (2.3GHz/2-core/3MB/17W) FIO Processor Kit | 701433-L21 |
| HP ML310e Gen8 Intel® Xeon® E3-1220v2 (3.1GHz/4-core/8MB/69W) FIO Processor Kit | 682812-L21 |
| HP ML310e Gen8 Intel® Xeon® E3-1230v2 (3.3GHz/4-core/8MB/69W) FIO Processor Kit | 682814-L21 |
| HP ML310e Gen8 Intel® Xeon® E3-1240v2 (3.4GHz/4-core/8MB/69W) FIO Processor Kit | 682816-L21 |
| HP ML310e Gen8 Intel® Xeon® E3-1270v2 (3.5GHz/4-core/8MB/69W) FIO Processor Kit | 682818-L21 |
| HP ML310e Gen8 Intel® Xeon® E3-1280v2 (3.6GHz/4-core/8MB/69W) FIO Processor Kit | 682820-L21 |

HP Memory

Unbuffered with ECC DIMMs (UDIMMs)

| | |
|---|------------|
| HP 2GB (1x2GB) Single Rank x8 PC3-12800E (DDR3-1600) Unbuffered CAS-11 Memory Kit | 669320-B21 |
| HP 2GB (1x2GB) Single Rank x8 PC3L-10600E (DDR3-1333) Unbuffered CAS-9 Low Voltage Memory Kit | 647905-B21 |
| HP 4GB (1x4GB) Dual Rank x8 PC3-12800E (DDR3-1600) Unbuffered CAS-11 Memory Kit | 669322-B21 |
| HP 4GB (1x4GB) Dual Rank x8 PC3L-10600E (DDR3-1333) Unbuffered CAS-9 Low Voltage Memory Kit | 647907-B21 |
| HP 8GB (1x8GB) Dual Rank x8 PC3-12800E (DDR3-1600) Unbuffered CAS-11 Memory Kit | 669324-B21 |
| HP 8GB (1x8GB) Dual Rank x8 PC3L-10600E (DDR3-1333) Unbuffered CAS-9 Low Voltage Memory Kit | 647909-B21 |

NOTE: All DDR3 memory option kits consist of one DIMM per kit. For detailed memory configuration rules and guidelines, please use the Online DDR3 Memory Configuration Tool: www.hp.com/go/ddr3memory-configurator.

Configuration Information - Factory Integrated Models

HP Power Supplies

NOTE: Mixing of power supplies in the same server is not supported. All power supplies inside a server must be exactly the same model. Mixing Gold, Platinum, and Platinum Plus certified power supplies is not supported.

NOTE: Prior to making a power supply selection it is highly recommended that the HP Power Advisor is run to determine the right size power supply for your server configuration. The HP Power Advisor is located at: www.hp.com/go/hppoweradvisor

HP 350W Factory Integrated Power Supply Kit

674838-B21

HP Common Slot Gold Power Supplies

NOTE: The following Power Supplies offer 92% Efficiency.

HP 460W Common Slot Gold Hot Plug Power Supply Kit

503296-B21

Enablement Kit

HP 4U Redundant Power Supply Enablement Kit

675843-B21

NOTE: The HP 4U Redundant Power Supply Enablement Kit (675843-B21) must be installed when using HP Common Slot power supplies.

Step 3: Choose Additional Factory Integratable Options

HP Insight Software

HP Insight Control including 1yr 24x7 Support ProLiant ML/DL/BL-bundle Single Server FIO License

C6N36A

Step 4: Choose Additional Options for Factory Integration

NOTE: For additional options, please refer to the "Core Options" and "Additional Options" section below.

Core Options

NOTE: Some options may not be integrated at the factory. Contact your local sales representative for additional information.

| | | |
|--------------------------|--|------------|
| HP Unique Options | HP 4U 4 Large Form Factor Hot Plug Hard Drive Backplane Kit NOTE: The LFF Kit is a backplane kit designed for going from NHP LFF to hot-plug LFF. | 674839-B21 |
| | HP 4U 8 Small Form Factor Hot Plug Hard Drive Cage Kit NOTE: The SFF Kit is the cage plus backplane and designed to convert from any LFF configuration to SFF. | 674841-B21 |

HP Memory

NOTE: To realize the performance memory capabilities listed in this document, HP SmartMemory is required. For additional information, please see the HP SmartMemory QuickSpecs at:
http://h18000.www1.hp.com/products/quickspecs/14225_div/14225_div.html
(Worldwide)

Unbuffered with ECC DIMMs (UDIMMs)

| | |
|---|------------|
| HP 2GB (1x2GB) Single Rank x8 PC3-12800E (DDR3-1600) Unbuffered CAS-11 Memory Kit | 669320-B21 |
| HP 2GB (1x2GB) Single Rank x8 PC3L-10600E (DDR3-1333) Unbuffered CAS-9 Low Voltage Memory Kit | 647905-B21 |
| HP 4GB (1x4GB) Dual Rank x8 PC3-12800E (DDR3-1600) Unbuffered CAS-11 Memory Kit | 669322-B21 |
| HP 4GB (1x4GB) Dual Rank x8 PC3L-10600E (DDR3-1333) Unbuffered CAS-9 Low Voltage Memory Kit | 647907-B21 |
| HP 8GB (1x8GB) Dual Rank x8 PC3-12800E (DDR3-1600) Unbuffered CAS-11 Memory Kit | 669324-B21 |
| HP 8GB (1x8GB) Dual Rank x8 PC3L-10600E (DDR3-1333) Unbuffered CAS-9 Low Voltage Memory Kit | 647909-B21 |

HP Drive Cage Options

| | |
|--|------------|
| HP 4U 4 Large Form Factor Hot Plug Hard Drive Backplane Kit NOTE: The LFF Kit is a backplane kit designed for going from NHP LFF to hot-plug LFF. | 674839-B21 |
| HP 4U 8 Small Form Factor Hot Plug Hard Drive Cage Kit NOTE: The SFF Kit is the cage plus backplane and designed to convert from any LFF configuration to SFF. | 674841-B21 |

HP Optical Drives

| | |
|---|------------|
| HP Half-Height SATA DVD ROM JackBlack Optical Drive | 624189-B21 |
| HP Half-Height SATA DVD RW JackBlack Optical Drive | 624192-B21 |

HP Hard Drives

NOTE: The components of a storage subsystem (e.g. the drive, the HBA/controller, firmware, and the server backplane) should operate at the same data transfer rate or the system bandwidth will be negotiated down to an acceptable level for all components.

NOTE: Hard drives have either a one year or three year warranty; refer to the specific hard drive QuickSpecs for details.

SAS Hot Plug with SmartDrive SFF (2.5-inch) Enterprise Drives

Core Options

| | |
|---|------------|
| HP 1.2TB 6G SAS 10K rpm SFF (2.5-inch) SC Enterprise 3yr Warranty Hard Drive | 697574-B21 |
| HP 900GB 6G SAS 10K rpm SFF (2.5-inch) SC Enterprise 3yr Warranty Hard Drive | 652589-B21 |
| HP 600GB 6G SAS 10K rpm SFF (2.5-inch) SC Enterprise 3yr Warranty Hard Drive | 652583-B21 |
| HP 450GB 6G SAS 10K rpm SFF (2.5-inch) SC Enterprise 3yr Warranty Hard Drive | 652572-B21 |
| HP 300GB 6G SAS 10K rpm SFF (2.5-inch) SC Enterprise 3yr Warranty Hard Drive | 652564-B21 |
| HP 300GB 6G SAS 15K rpm SFF (2.5-inch) SC Enterprise 3yr Warranty Hard Drive | 652611-B21 |
| HP 146GB 6G SAS 15K rpm SFF (2.5-inch) SC Enterprise 3yr Warranty Hard Drive | 652605-B21 |
| SAS Hot Plug SmartDrive SFF (2.5-inch) Midline Drives | |
| HP 1TB 6G SAS 7.2K rpm SFF (2.5-inch) SC Midline 1yr Warranty Hard Drive | 652749-B21 |
| HP 500GB 6G SAS 7.2K rpm SFF (2.5-inch) SC Midline 1yr Warranty Hard Drive | 652745-B21 |
| SAS Hot Plug SmartDrive LFF (3.5-inch) Enterprise Drives | |
| HP 600GB 6G SAS 15K rpm LFF (3.5-inch) SC Enterprise 3yr Warranty Hard Drive | 652620-B21 |
| HP 450GB 6G SAS 15K rpm LFF (3.5-inch) SC Enterprise 3yr Warranty Hard Drive | 652615-B21 |
| SAS Hot Plug SmartDrive LFF (3.5-inch) Midline Drives | |
| HP 4TB 6G SAS 7.2K rpm LFF (3.5-inch) SC Midline 1yr Warranty Hard Drive | 695510-B21 |
| HP 3TB 6G SAS 7.2K rpm LFF (3.5-inch) SC Midline 1yr Warranty Hard Drive | 652766-B21 |
| HP 2TB 6G SAS 7.2K rpm LFF (3.5-inch) SC Midline 1yr Warranty Hard Drive | 652757-B21 |
| SAS Non-Hot Plug LFF (3.5-inch) Enterprise (ENT) Drives | |
| HP 600GB 6G SAS 15K rpm LFF (3.5-inch) Non-hot Plug Dual Port Enterprise 3yr Warranty Hard Drive | 516830-B21 |
| HP 450GB 6G SAS 15K rpm LFF (3.5-inch) Non-hot Plug Dual Port Enterprise 3yr Warranty Hard Drive | 516826-B21 |
| NOTE: Please see the QuickSpecs for Technical Specifications and additional information: | |
| http://h18000.www1.hp.com/products/quickspecs/12244_div/12244_div.html (Worldwide) | |
| 6G SATA Hot Plug with SmartDrive SFF (2.5-inch) Midline (MDL) Drives | |
| HP 1TB 6G SATA 7.2K rpm SFF (2.5-inch) SC Midline 1yr Warranty Hard Drive | 655710-B21 |
| HP 500GB 6G SATA 7.2K rpm SFF (2.5-inch) SC Midline 1yr Warranty Hard Drive | 655708-B21 |
| 6G SATA Hot Plug with SmartDrive LFF (3.5-inch) Midline (MDL) Drives | |
| HP 4TB 6G SATA 7.2k rpm LFF (3.5-inch) SC Midline 1yr Warranty Hard Drive | 693687-B21 |
| HP 3TB 6G SATA 7.2K rpm LFF (3.5-inch) SC Midline 1yr Warranty Hard Drive | 628061-B21 |
| HP 2TB 6G SATA 7.2K rpm LFF (3.5-inch) SC Midline 1yr Warranty Hard Drive | 658079-B21 |
| HP 1TB 6G SATA 7.2K rpm LFF (3.5-inch) SC Midline 1yr Warranty Hard Drive | 657750-B21 |
| HP 500GB 6G SATA 7.2K rpm LFF (3.5-inch) SC Midline 1yr Warranty Hard Drive | 658071-B21 |
| 6G SATA Non-hot Plug LFF (3.5-inch) Midline (MDL) Drives | |
| HP 3TB 6G SATA 7.2K rpm LFF (3.5-inch) Non-hot plug Midline 1yr Warranty Hard Drive | 628065-B21 |
| HP 2TB 6G SATA 7.2K rpm LFF (3.5-inch) Non-hot plug Midline 1yr Warranty Hard Drive | 659339-B21 |
| HP 1TB 6G SATA 7.2K rpm LFF (3.5-inch) Non-hot plug Midline 1yr Warranty Hard Drive | 659337-B21 |
| HP 500GB 6G SATA 7.2K rpm LFF (3.5-inch) Non-hot plug Midline 1yr Warranty Hard Drive | 659341-B21 |

Core Options

NOTE: SATA hard drives have a 1-year warranty. Please see the QuickSpecs for Technical Specifications and additional information:
http://h18000.www1.hp.com/products/quickspecs/13021_div/13021_div.html
 (Worldwide)

6G SATA ME Hot Plug SFF (2.5-inch) Enterprise Mainstream Solid State Drives

| | |
|---|------------|
| HP 800GB 6G SATA Mainstream Endurance SFF 2.5-in SC Enterprise Mainstream 3yr Wty Solid State Drive | 691868-B21 |
| HP 400GB 6G SATA Mainstream Endurance SFF 2.5-in SC Enterprise Mainstream 3yr Wty Solid State Drive | 691866-B21 |
| HP 200GB 6G SATA Mainstream Endurance SFF 2.5-in SC Enterprise Mainstream 3yr Wty Solid State Drive | 691864-B21 |
| HP 100GB 6G SATA Mainstream Endurance SFF 2.5-in SC Enterprise Mainstream 3yr Wty Solid State Drive | 691862-B21 |

6G SATA ME Hot Plug SFF (3.5-inch) Enterprise Mainstream Solid State Drives

| | |
|---|------------|
| HP 800GB 6G SATA Mainstream Endurance LFF 3.5-in SC Enterprise Mainstream 3yr Wty Solid State Drive | 691860-B21 |
| HP 400GB 6G SATA Mainstream Endurance LFF 3.5-in SC Enterprise Mainstream 3yr Wty Solid State Drive | 691856-B21 |
| HP 200GB 6G SATA Mainstream Endurance LFF 3.5-in SC Enterprise Mainstream 3yr Wty Solid State Drive | 691854-B21 |
| HP 100GB 6G SATA Mainstream Endurance LFF 3.5-in SC Enterprise Mainstream 3yr Wty Solid State Drive | 691852-B21 |

3G SATA MLC Hot Plug SFF (2.5-inch) Enterprise Mainstream Solid State Drives

| | |
|---|------------|
| HP 100GB 3G SATA MLC SFF (2.5-inch) SC Enterprise Mainstream 3yr Warranty Solid State Drive | 653112-B21 |
|---|------------|

3G SATA MLC Hot Plug LFF (3.5-inch) Enterprise Mainstream Solid State Drives

| | |
|---|------------|
| HP 100GB 3G SATA MLC LFF (3.5-inch) SC Enterprise Mainstream 3yr Warranty Solid State Drive | 653122-B21 |
|---|------------|

NOTE: Please see the QuickSpecs for Technical Specifications and additional information:
http://h18000.www1.hp.com/products/quickspecs/14038_div/14038_div.html
 (Worldwide)

Hard Drive Kits

NOTE: All Factory Integrated Models will be populated with sufficient hard drive blanks based on the number of initial hard drives ordered with the server.

NOTE: The part numbers for single HDD blanks below are provided should the customer require replacement HDD blanks for their server

| | |
|----------------------------------|------------|
| HP LFF Gen8 Hard Drive Blank Kit | 666986-B21 |
| HP SFF Gen8 Hard Drive Blank Kit | 666987-B21 |

Core Options

HP Networking

Gigabit Ethernet adapters

HP NC112T PCI Express Gigabit Server Adapter 503746-B21

HP NC365T 4-port Ethernet Server Adapter 593722-B21

HP Ethernet 1Gb 4-port 331T Adapter 647594-B21

HP Ethernet 1Gb 2-port 332T Adapter 615732-B21

HP Ethernet 1Gb 2-port 361T Adapter 652497-B21

10 Gigabit Ethernet adapters

HP NC523SFP 10Gb 2-port Server Adapter 593717-B21

HP NC552SFP 10Gb 2-port Ethernet Server Adapter 614203-B21

HP Ethernet 10Gb 2-port 560SFP+ Adapter 665249-B21

NOTE: Please see the QuickSpecs for Technical Specifications and additional information: www.hp.com/go/ProLiantNICs

HP Power Supplies

NOTE: Mixing of power supplies in the same server is not supported. All power supplies inside a server must be exactly the same model. Mixing Gold, Platinum, and Platinum Plus certified power supplies is not supported.

NOTE: Prior to making a power supply selection it is highly recommended that the HP Power Advisor is run to determine the right size power supply for your server configuration. The HP Power Advisor is located at: www.hp.com/go/hppoweradvisor.

HP Common Slot Gold Power Supplies

NOTE: The following Power Supplies offer 92% Efficiency.

HP 460W Common Slot Gold Hot Plug Power Supply Kit 503296-B21

NOTE: Option Kits for AC power supplies include the power supply and one PDU IEC cable.

NOTE: Power Specification and Technical Content for supported power supplies can be found at:

http://h18000.www1.hp.com/products/quickspecs/14209_div/14209_div.html

Enablement Kit

HP 4U Redundant Power Supply Enablement Kit 675843-B21

NOTE: The HP 4U Redundant Power Supply Enablement Kit (675843-B21) must be installed when using HP Common Slot power supplies.

Additional Options

NOTE: Some options may not be integrated at the factory. To ensure only valid configurations are ordered, HP recommends the use of an HP approved configurator. Contact your local sales representative for additional information.

| | | |
|-------------------------------|--------------------------------------|------------|
| HP Management Hardware | HP Dedicated iLO Management Port Kit | 674845-B21 |
|-------------------------------|--------------------------------------|------------|

| | | |
|--|---|------------|
| HP Insight Software | HP Insight Control | |
| | HP Insight Control including 1yr 24x7 Technical Support and Updates Single Server License | C6N27A |
| | HP Insight Control including 1yr 24x7 Technical Support and Updates Electronic License | C6N28AAE |
| | HP Insight Control Server Provisioning Media Kit | BD883A |
| | HP Insight Management Media Kit | C6N31A |
| | NOTE: HP Insight Management Media Kit contains DVDs without licenses. Contains HP Systems Insight Manager, HP Insight Control, HP Matrix Operating Environment, and Virtual Connect Enterprise Manager software. Uses an integrated installer to perform quick and accurate software installation and updates. | |
| | HP Insight Control including 1yr 24x7 Support ProLiant ML/DL/BL-bundle Electronic License | C6N36AAE |
| | HP Insight Control Server Deployment Upgr to Insight Control including 1yr 24x7 Supp Electronic Lic | T9101ABE |
| | HP Insight Control Server Deployment including 1yr 24x7 Support Electronic License | T9082AAE |
| | HP Insight Control Server Deployment including 1yr 24x7 Support Single Server License | 452151-B21 |
| | Electronic and Flexible-Quantity licenses can be used to purchase multiple licenses with a single activation key. | |
| | NOTE: Customer will receive a license entitlement certificate. The license entitlement certificate must be redeemed online or via fax in order to obtain the license activation key(s). Includes one year of 24 x 7 HP Software Technical Support and Update Service. | |
| | NOTE: Licenses ship without media. The HP Insight Management Media Kit can be ordered separately, or can be downloaded at: http://www.hp.com/go/insightupdates . | |
| | NOTE: For additional license options please see the QuickSpecs at: http://h18000.www1.hp.com/products/quickspecs/12631_div/12631_div.html | |
| HP Integrated Lights-Out (iLO) | | |
| HP iLO Essentials | | |
| HP Integrated Lights-Out Essentials including 3yr 24x7 Tech Support and Updates E-LTU | BD774AAE | |
| HP Integrated Lights-Out Essentials including 3yr 24x7 Tech Support and Updates Single Svr License | BD774A | |
| HP Integrated Lights-Out Essentials including 1yr 24x7 Tech Support and Updates E-LTU | BD775AAE | |
| HP Integrated Lights-Out Essentials including 1yr 24x7 Tech Support and Updates Single Svr License | BD775A | |
| HP Integrated Lights-Out (iLO) Advanced for ProLiant | | |
| HP iLO Advanced including 1yr 24x7 Technical Support and Updates Electronic License | TA850AAE | |
| HP iLO Advanced Electronic License with 3yr 24x7 Tech Support and Updates | BD506AAE | |

Additional Options

| | |
|--|------------|
| HP iLO Advanced including 1yr 24x7 Technical Support and Updates Single Server License | 512485-B21 |
| HP iLO Advanced 1 Server License with 3yr 24x7 Tech Support and Updates | BD505A |
| HP iLO Advanced including 1yr 24x7 Technical Support and Updates Flexible Quantity License | 512486-B21 |
| HP iLO Advanced including 1yr 24x7 Technical Support and Updates Tracking License | 512487-B21 |

NOTE: For additional license kits, including electronic delivery options, please see the QuickSpecs at:
http://h18004.www1.hp.com/products/quickspecs/14276_div/14276_div.html

NOTE: For more information, visit: <http://www.hp.com/go/ilo>.

High Performance Clusters

HP HPC Linux Value Pack

| | |
|--|--------|
| HP High Performance Computing Linux Value Pack 1 Processor Flexible License for ProLiant Servers | TC293B |
|--|--------|

NOTE: This part number can be used to purchase one certificate for multiple licenses with a single activation key. Each license is for one socket (a.k.a. processor). Customer will receive a printed end user license agreement and license entitlement certificate via physical shipment. The license entitlement certificate must be redeemed online in order to obtain a license key.

HP Security

| | |
|-----------------------------------|------------|
| HP Trusted Platform Module Option | 488069-B21 |
|-----------------------------------|------------|

NOTE: The TPM (Trusted Platform Module) is a microcontroller chip that can securely store artifacts used to authenticate the server platform. These artifacts can include passwords, certificates and encryption keys. Windows® BitLocker™ Drive Encryption (BitLocker) is a data protection feature available in Windows Server® 2008. BitLocker leverages the enhanced security capabilities of a Trusted Platform Module (TPM) version 1.2. The TPM works with BitLocker to help protect user data and to ensure that a server running Windows Server 2008 has not been tampered with while the system was offline. For more information about TPM, including a white paper, go to: www.hp.com/go/TPM.

NOTE: ProLiant OS pre-installed units will come with the partition required for TPM deployment.

NOTE: The TPM key is unique to every TPM deployed server and must be retained. Misplacing or losing the key could result in data loss.

Additional Options

HP Storage Controllers

SAS Controllers

HP Smart Array P222 Controller

HP Smart Array P222/512 FBWC 6Gb 1-port Int/1-port Ext SAS Controller 631667-B21

HP Smart Array P420 Controller

HP Smart Array P420/2GB FBWC 6Gb 2-ports Int SAS Controller 631671-B21

HP Smart Array P420/1GB FBWC 6Gb 2-ports Int SAS Controller 631670-B21

HP Smart Array P421 Controller

HP Smart Array P421/2GB FBWC 6Gb 2-ports Ext SAS Controller 631674-B21

HP Smart Array P421/1GB FBWC 6Gb 2-ports Ext SAS Controller 631673-B21

Optional Upgrades

HP 2GB P-series Smart Array Flash Backed Write Cache 631681-B21

HP Smart Array Advanced Pack 2.0 No Media 1 Server 1yr 24x7 Support Software BC377A

HP Smart Array Advanced Pack 2.0 No Media Electronic Lic 1yr 24x7 Support Software BC390AAE

HP Smart Array Advanced Pack 2.0 No Media Flexible Qty 1yr 24x7 Support Software BC390A

NOTE: Please see the QuickSpecs for Technical Specifications and additional information:

http://h18000.www1.hp.com/products/quickspecs/14227_div/14227_div.html
(Smart Array P222 Controller)

http://h18000.www1.hp.com/products/quickspecs/14228_div/14228_div.html
(Smart Array P420 Controller)

http://h18000.www1.hp.com/products/quickspecs/14229_div/14229_div.html
(Smart Array P421 Controller)

http://h18000.www1.hp.com/products/quickspecs/13200_div/13200_div.html
(Smart Array Advanced Pack)

HP Host Bus Adapters

HP H220 Host Bus Adapter 650933-B21

HP H221 Host Bus Adapter 650931-B21

HP H222 Host Bus Adapter 650926-B21

NOTE: Please see the QuickSpecs for Technical Specifications and additional information:

http://h18004.www1.hp.com/products/quickspecs/14336_div/14336_div.html
(HBA H220)

http://h18004.www1.hp.com/products/quickspecs/14222_div/14222_div.html
(HBA H221)

http://h18004.www1.hp.com/products/quickspecs/14337_div/14337_div.html
(HBA H222)

SCSI HBA

HP SC11Xe Ultra320 Single Channel/ PCIe x4 SCSI Host Bus Adapter 412911-B21

NOTE: Please see the following QuickSpecs for additional information:

http://h18000.www1.hp.com/products/quickspecs/12566_div/12566_div.html
(SC11Xe HBA)

Additional Options

HP Tape Backup

NOTE: For the complete range of tape drives, autoloaders, libraries and media see: <http://www.hp.com/go/tape>. For hardware and software compatibility of HP tape backup products see: <http://www.hp.com/storage/SPOCK> and www.hp.com/go/ebs.

| | |
|--|--------|
| HP StoreEver DAT 72 SCSI Internal Tape Drive | Q1522C |
| NOTE: Connection using HP SC11Xe Host Bus Adapter (412911-B21) recommended. | |
| HP StoreEver DAT 160 SCSI Internal Tape Drive | Q1573B |
| NOTE: Connection using HP SC11Xe Host Bus Adapter (412911-B21) recommended. | |
| HP StoreEver LTO-3 Ultrium 920 SCSI Internal Tape Drive | EH841B |
| NOTE: Connection using HP SC11Xe Host Bus Adapter (412911-B21) recommended. | |
| HP StoreEver LTO-4 Ultrium 1760 SCSI Internal Tape Drive | EH921B |
| NOTE: Connection using HP SC11Xe Host Bus Adapter (412911-B21) recommended. | |
| HP StoreEver LTO-2 Ultrium 448 SAS Internal Tape Drive | DW085B |
| NOTE: Connection using HP H222Host Bus Adapter (650926-B21) recommended. | |
| HP StoreEver LTO-3 Ultrium 920 SAS Internal Tape Drive | EH847B |
| NOTE: Connection using HP H222Host Bus Adapter (650926-B21) recommended. | |
| HP StoreEver LTO-6 Ultrium 6250 Tape Drive in 1U Rack-mount Kit | C0L99A |
| HP StoreEver LTO-6 Ultrium 6650 Internal Tape Drive | EH963A |
| HP StoreEver LTO-6 Ultrium 6650 External Tape Drive | EH964A |
| HP StoreEver LTO-6 Ultrium 6250 Internal Tape Drive | EH969A |
| HP StoreEver LTO-6 Ultrium 6250 External Tape Drive | EH970A |

HP Disk Backup

NOTE: For the complete range of RDX drives and media see: <http://www.hp.com/go/rdx>. For hardware and software compatibility of HP disk backup products see: <http://www.hp.com/storage/SPOCK>.

HP RDX Removable Disk Backup System

| | |
|---|--------|
| HP RDX320 USB3.0 External Disk Backup System | B7B63A |
| HP RDX500 USB3.0 Internal Disk Backup System | B7B64A |
| HP RDX500 USB3.0 External Disk Backup System | B7B66A |
| HP RDX1000 USB3.0 Internal Disk Backup System | B7B67A |
| HP RDX1000 USB3.0 External Disk Backup System | B7B69A |

NOTE: Please see the QuickSpecs for additional part numbers, Technical Specifications, and additional information: http://h18000.www1.hp.com/products/quickspecs/13036_div/13036_div.html (Worldwide)

HP Uninterruptible Power Systems

HP Tower UPS

HP T1500 G3 UPS Models

| | |
|--|--------|
| HP T1500 G3 1400VA INTL Tower Uninterruptible Power System | AF451A |
| HP T1500 G3 1400VA NA Tower Uninterruptible Power System | AF450A |
| HP T1500J JP Uninterruptible Power System | AF458A |

Additional Options

NOTE: Please see the QuickSpecs for additional information:

http://h18000.www1.hp.com/products/quickspecs/13160_div/13160_div.html
(Worldwide)

HP Rack-mountable UPS

HP R1500 G3 Uninterruptible Power Supply (UPS)

HP R1.5kVA G3 1U NA Uninterruptible Power System AF469A

HP R1.5kVA G3 1U JP/TW Uninterruptible Power System AF470A

HP R1.5kVA G3 1U INTL Uninterruptible Power System AF471A

NOTE: Please see the QuickSpecs for additional information:

http://h18000.www1.hp.com/products/quickspecs/14059_div/14059_div.html
(Worldwide)

HP R/T3000 G2 Uninterruptible Power System (UPS)

HP R/T3000 G2 2U L530 Low Voltage NA/JP Uninterruptible Power System AF466A

HP R/T3000 G2 2U L620 High Voltage NA/JP Uninterruptible Power System AF467A

HP R/T3000 G2 2U Detachable Cord High Voltage INTL Uninterruptible Power System AF468A

NOTE: Please see the QuickSpecs for additional information:

http://h18000.www1.hp.com/products/quickspecs/14058_div/14058_div.html
(Worldwide)

R5000 Uninterruptible Power System (UPS)

HP R5KVA 3U IEC309-32A High Voltage INTL Uninterruptible Power System AF461A

HP R5KVA 3U L630 High Voltage NA/JP Uninterruptible Power System AF460A

NOTE: Please see the QuickSpecs for additional information:

http://h18000.www1.hp.com/products/quickspecs/14109_div/14109_div.html
(Worldwide)

R7000 Uninterruptible Power System (UPS)

HP R7KVA 4U 50A High Voltage NA/JP Uninterruptible Power System AF462A

HP R7KVA 4U IEC-32A High Voltage INTL Uninterruptible Power System AF463A

NOTE: Please see the QuickSpecs for additional information:

http://h18000.www1.hp.com/products/quickspecs/14110_div/14110_div.html
(Worldwide)

NOTE: For additional information on HP Uninterruptible Power Systems please go to:

www.hp.com/servers/rackups.

NOTE: For additional information on sizing your server, please reference:

<http://www.upssizer.com>.

NOTE: Please see the UPS and PDU cable matrix's on the HP Power Protection and Management page. Under Power Cords, click on the "HP Power Cord Matrix" link. That link will list cable descriptions, requirements, and specifications for UPS and PDU units. Please see the following link: www.hp.com/products/powercords.

Additional Options

HP Power Distribution Units

Monitored PDUs

HP Monitored Power Distribution Unit: Full Rack Version

| | |
|---|--------|
| HP 8.6kVA 24A Single Input Three Phase NA/JP Monitored Power Distribution Unit | AF504A |
| HP 8.3kVA 40A Single Input Single Phase NA/JP Monitored Power Distribution Unit | AF506A |
| HP 11kVA 16A Single Input Three Phase INTL Monitored Power Distribution Unit | AF508A |
| HP 7.3kVA 32A Single Input Single Phase INTL Monitored Power Distribution Unit | AF510A |

HP Monitored Power Distribution Unit: Half Rack Version

| | |
|---|--------|
| HP 4.9kVA 24A Single Input Single Phase NA/JP Monitored Power Distribution Unit | AF914A |
| HP 7.3kVA 32A Single Input Single Phase INTL Monitored Power Distribution Unit | AF915A |

NOTE: Please see the QuickSpecs for Technical Specifications and additional information:

http://h18000.www1.hp.com/products/quickspecs/12118_div/12118_div.html

Modular PDUs 1U/0U

NOTE: 1U/0U mounting brackets shipped with the unit (optimized for 10000 G2 and 9000 series racks).

| | |
|--|------------|
| HP 3.6kVA 16A High Voltage INTL Modular Power Distribution Unit | 252663-B24 |
| HP 4.9kVA 24A High Voltage NA/JP Modular Power Distribution Unit | 252663-D72 |
| HP 2.8kVA 24A Low Voltage NA/JP Modular Power Distribution Unit | 252663-D71 |
| HP 7.3kVA 32A High Voltage INTL Modular Power Distribution Unit | 252663-B31 |

NOTE: For additional information on HP Power Distribution Units including accessories please go to: www.hp.com/go/pdu.

NOTE: Please see the UPS and PDU cable matrix's on the HP Power Protection and Management page. Under Power Cords, click on the "HP Power Cord Matrix" link. That link will list cable descriptions, requirements, and specifications for UPS and PDU units. Please see the following link: www.hp.com/products/powercords.

NOTE: This PDU has a detachable input power cord and allows for adaptability to country specific power requirements.

NOTE: Please see the following QuickSpecs for additional options including shorter jumper cables and country specific power cords:

http://h18000.www1.hp.com/products/quickspecs/11041_div/11041_div.html (Worldwide)

HP Intelligent Power Distribution Units (iPDU)

iPDU Core Units

| | |
|---|--------|
| HP 4.9kVA 24A Single Phase NA/JP Core Intelligent Modular Power Distribution Unit | AF520A |
| HP 8.6kVA 24A Three Phase NA/JP Core Intelligent Modular Power Distribution Unit | AF522A |
| HP 7.3kVA 32A Single Phase INTL Core Intelligent Modular Power Distribution Unit | AF525A |
| HP 11kVA 16A Three Phase INTL Core Intelligent Modular Power Distribution Unit | AF526A |

iPDU Extension Bars

| | |
|---|--------|
| HP 5xC13 Intelligent PDU Extension Bar G2 Kit | AF547A |
| HP 5xC13 Outlets Power and UID LEDs Pair Standard Extension Bar | AF528A |

Additional Options

NOTE: Please see the QuickSpecs for Technical Specifications and additional information:
http://h18000.www1.hp.com/products/quickspecs/13650_div/13650_div.html
(Worldwide)

HP Basic Power Distribution Units

| | |
|---|--------|
| HP 1.9kVA 120 Volt 12 Outlet NA/JP Basic Power Distribution Unit | H5M54A |
| HP 2.8kVA 120 Volt 18 Outlet NA/JP Basic Power Distribution Unit | H5M55A |
| HP 3.6kVA 200-240 Volt 12 Outlet WW Basic Power Distribution Unit | H5M56A |
| HP 3.6kVA 200-240 Volt 20 Outlet WW Basic Power Distribution Unit | H5M57A |
| HP 4.9kVA 208 Volt 20 Outlet NA/JP Basic Power Distribution Unit | H5M58A |
| HP 4.9kVA 208 Volt 30 Outlet NA/JP Basic Power Distribution Unit | H5M59A |
| HP 8.3kVA 208 Volt 36 Outlet NA/JP Basic Power Distribution Unit | H5M60A |
| HP 8.6kVA 208 Volt Three Phase 18 Outlet NA/JP Basic Power Distribution Unit | H5M61A |
| HP 8.6kVA 208 Volt Three Phase 30 Outlet NA/JP Basic Power Distribution Unit | H5M62A |
| HP 5.7kVA 208 Volt Three Phase 27 Outlet NA/JP Dual Voltage Basic Power Distribution Unit | H5M63A |
| HP 8.6kVA 208 Volt Three Phase 30 Outlet NA/JP Dual Voltage Basic Power Distribution Unit | H5M64A |
| HP 11kVA 400 Volt Three Phase 42 Outlet NA Basic Power Distribution Unit | H5M67A |
| HP 7.3kVA 230 Volt 20 Outlet INTL Basic Power Distribution Unit | H5M68A |
| HP 7.3kVA 230 Volt 30 Outlet INTL Basic Power Distribution Unit | H5M70A |
| HP 11kVA 230 Volt 36 Outlet INTL Basic Power Distribution Unit | H5M71A |
| HP 11kVA 400 Volt Three Phase 30 Outlet INTL Basic Power Distribution Unit | H5M72A |
| HP 11kVA 400 Volt Three Phase 42 Outlet INTL Basic Power Distribution Unit | H5M73A |
| HP Hardwired 200-240 Volt 36 Outlet WW Basic Power Distribution Unit | H5M75A |
| HP 13.2kVA 480 Volt Three Phase 15 Outlet NA Basic Power Distribution Unit | H3X07A |
| HP 19.9kVA 480 Volt Three Phase 30 Outlet NA Basic Power Distribution Unit | H3X08A |
| HP 277 Volt options for H3X07A and H3X08A | |
| HP 800VA - 277V Input / 230V Output NA Rack Mount Transformer | H3X09A |

NOTE: Please see the QuickSpecs for Technical Specifications and additional information:
http://h18000.www1.hp.com/products/quickspecs/14557_div/14557_div.html
(Worldwide)

NOTE: Additional HP Power Distribution Units are available. For a complete list of all HP PDUs and additional information please visit www.hp.com/go/rackandpower.

Additional Options

HP Rack Series

HP Intelligent Series Rack

| | |
|--|--------|
| HP 636 1075mm Pallet Intelligent Series Rack | BW895A |
| HP 636 1075mm Shock Intelligent Series Rack | BW896A |
| HP 642 1075mm Pallet Intelligent Series Rack | BW903A |
| HP 642 1075mm Shock Intelligent Series Rack | BW904A |
| HP 647 1075mm Pallet Intelligent Series Rack | BW911A |
| HP 647 1075mm Shock Intelligent Series Rack | BW912A |

NOTE: Please see the QuickSpecs for Technical Specifications such as height, width, depth, weight, and color:

http://h18000.www1.hp.com/products/quickspecs/14223_div/14223_div.html
(Worldwide)

NOTE: For additional information regarding Rack Cabinets, please see the following URL: <http://www.hp.com/go/rackandpower>.

HP Rack Options

HP Location Discovery Services

| | |
|-------------------------------|--------|
| HP 36U Location Discovery Kit | BW945A |
| HP 42U Location Discovery Kit | BW946A |
| HP 47U Location Discovery Kit | BW947A |

NOTE: Please see the QuickSpecs for Technical Specifications and additional information:

http://h18000.www1.hp.com/products/quickspecs/14429_div/14429_div.html
(Worldwide)

HP USB Keyboard and Mouse

| | |
|---|------------|
| HP USB BFR with PVC Free US Keyboard/Mouse Kit | 631341-B21 |
| HP USB BFR with PVC Free UK Keyboard/Mouse Kit | 631344-B21 |
| HP USB BFR with PVC Free FR Keyboard/Mouse Kit | 631346-B21 |
| HP USB BFR with PVC Free ES Keyboard/Mouse Kit | 631348-B21 |
| HP USB BFR with PVC Free DE Keyboard/Mouse Kit | 631358-B21 |
| HP USB BFR with PVC Free JP Keyboard/Mouse Kit | 631360-B21 |
| HP USB BFR with PVC Free IT Keyboard/Mouse Kit | 631362-B21 |
| HP USB BFR with PVC Free CN Keyboard/Mouse Kit | 631364-B21 |
| HP USB BFR with PVC Free AE Keyboard/Mouse Kit | 638212-B21 |
| HP USB BFR with PVC Free RU Keyboard/Mouse Kit | 638214-B21 |
| HP USB BFR with PVC Free IN Keyboard/Mouse Kit | 672097-D63 |
| HP USB BFR with PVC Free AP-Intl Keyboard/Mouse Kit | 672097-373 |
| HP USB BFR with PVC Free Intl Keyboard/Mouse Kit | 672097-B33 |
| HP USB BFR with PVC Free PT Keyboard/Mouse Kit | 672097-133 |
| HP USB BFR with PVC Free TR Keyboard/Mouse Kit | 672097-143 |
| HP USB BFR with PVC Free CZ Keyboard/Mouse Kit | 672097-223 |
| HP USB BFR with PVC Free FI Keyboard/Mouse Kit | 672097-353 |
| HP USB BFR with PVC Free SE Keyboard/Mouse Kit | 672097-103 |
| HP USB BFR with PVC Free CH Keyboard/Mouse Kit | 672097-113 |

Additional Options

HP USB BFR with PVC Free KR Keyboard/Mouse Kit

672097-KD3

NOTE: Please see the QuickSpecs for Technical Specifications and additional information:

http://h18000.www1.hp.com/products/quickspecs/13792_div/13792_div.html
(Worldwide)

HP TFT7600 G2 KVM Console Rackmount Keyboard Monitor

| | |
|---|--------|
| HP TFT7600 G2 KVM Console Rackmount Keyboard US Monitor | AZ870A |
| HP TFT7600 G2 KVM Console Rackmount Keyboard UK Monitor | AZ871A |
| HP TFT7600 G2 KVM Console Rackmount Keyboard DE Monitor | AZ872A |
| HP TFT7600 G2 KVM Console Rackmount Keyboard FR Monitor | AZ873A |
| HP TFT7600 G2 KVM Console Rackmount Keyboard IT Monitor | AZ874A |
| HP TFT7600 G2 KVM Console Rackmount Keyboard ES Monitor | AZ875A |
| HP TFT7600 G2 KVM Console Rackmount Keyboard DK Monitor | AZ876A |
| HP TFT7600 G2 KVM Console Rackmount Keyboard NO Monitor | AZ877A |
| HP TFT7600 G2 KVM Console Rackmount Keyboard SE/FI Monitor | AZ878A |
| HP TFT7600 G2 KVM Console Rackmount Keyboard CH Monitor | AZ879A |
| HP TFT7600 G2 KVM Console Rackmount Keyboard PT Monitor | AZ880A |
| HP TFT7600 G2 KVM Console Rackmount Keyboard BE Monitor | AZ881A |
| HP TFT7600 G2 KVM Console Rackmount Keyboard JP Monitor | AZ882A |
| HP TFT7600 G2 KVM Console Rackmount Keyboard RU Monitor | AZ883A |
| HP TFT7600 G2 KVM Console Rackmount Keyboard Intl Monitor | AZ884A |
| HP TFT7600 G2 KVM Console Rackmount Keyboard US TAA Monitor | AZ885A |

NOTE: Please see the QuickSpecs for Technical Specifications and additional information:

http://h18000.www1.hp.com/products/quickspecs/13731_div/13731_div.html
(Worldwide)

HP Server Console Switches

| | |
|---|--------|
| HP Server Console 0x2x8 Port Analog Switch | AF616A |
| HP Server Console 0x2x16 Port Analog Switch | AF617A |
| HP TAA 0x2x16xKVM Server Console G2 Switch | AF626A |

NOTE: Please see the QuickSpecs for Technical Specifications and additional information:

http://h18000.www1.hp.com/products/quickspecs/11834_div/11834_div.html
(Worldwide)

HP Server Console Switch G2 with Virtual Media & CAC

| | |
|--|--------|
| HP 0x2x16 KVM Server Console Switch G2 with Virtual Media CAC Software | AF618A |
| HP 0x2x32 KVM Server Console Switch G2 with Virtual Media CAC Software | AF619A |
| HP KVM CAT5 1-pack USB Interface Adapter | AF611A |

NOTE: Please see the QuickSpecs for Technical Specifications and additional information:

http://h18000.www1.hp.com/products/quickspecs/13475_div/13475_div.html
(Worldwide)

HP IP Console Switch G2 with Virtual Media & CAC

Additional Options

| | |
|---|--------|
| HP 1x1Ex8 KVM IP Console Switch G2 with Virtual Media CAC Software | AF620A |
| HP 2x1Ex16 KVM IP Console Switch G2 with Virtual Media CAC Software | AF621A |
| HP 4x1Ex32 KVM IP Console Switch G2 with Virtual Media CAC Software | AF622A |

NOTE: Please see the [QuickSpecs for Technical Specifications and additional information:](#)

http://h18000.www1.hp.com/products/quickspecs/13474_div/13474_div.html
(Worldwide)

Rack Kit

| | |
|--|------------|
| HP Tower to Rack Conversion Tray Universal Kit | 417705-B21 |
|--|------------|

HP USB and SD Options

HP Enterprise Performance Flash Media Kits for Memory Cards

| | |
|--|------------|
| HP 4GB SD Enterprise Performance Flash Media Kit | 580387-B21 |
|--|------------|

NOTE: Blank SD media device is supported for use with VMware and Citrix. SD media must be installed in the internal slot of the ProLiant server. Learn more at:

<http://www.hp.com/go/proliantvirtualization>.

HP Enterprise Mainstream Flash Media Kits for Memory Cards

| | |
|--|------------|
| HP 32GB SD Enterprise Mainstream Flash Media Kit | 700136-B21 |
|--|------------|

NOTE: Please see the [QuickSpecs for Technical Specifications and additional information:](#)

http://h18000.www1.hp.com/products/quickspecs/13971_div/13971_div.html

HP Care Pack Services

Proactive Care

NOTE: Collaborative Support plus Proactive services delivered by the onshore, local language Advanced Solution Center (ASC), end-to-end case ownership from a Technical Solution Specialists and Technical Account Manager who remotely delivers firmware/software revision management, proactive scans and incident trend reports. Recommended for customers running a virtualized infrastructure and/or customers who desire an enhanced call support experience.

| | |
|--|--------|
| HP 3 year 4 hour 24x7 ProLiant ML310e Proactive Care Service | U6F73E |
|--|--------|

| | |
|---|--------|
| HP 3 year 4 hour 24x7 with Defective Media Retention ProLiant ML310e Proactive Care Service | U6F74E |
|---|--------|

| | |
|---|--------|
| HP 3 year 6 hour Call to Repair 24x7 ProLiant ML310e Proactive Care Service | U6F79E |
|---|--------|

| | |
|--|--------|
| HP 3 year 6 hour Call to Repair 24x7 w/ Defective Media Retention ProLiant ML310e Proactive Care SVC | U6F80E |
|--|--------|

Collaborative Support

NOTE: Hardware break/fix plus 24x7 software diagnosis support with collaborative call management for a broad spectrum of 3rd Party software products including O/S and hypervisors. Recommended for customers procuring 3rd party SW O/S and hypervisors from the software vendors directly and deploying them on HP ProLiant servers.

| | |
|---|--------|
| HP 3 year 4 hour 24x7 ProLiant ML310e Collaborative Support | U6F71E |
|---|--------|

| | |
|--|--------|
| HP 3 year 4 hour 24x7 with Defective Media Retention ProLiant ML310e Collaborative Support | U6F72E |
|--|--------|

| | |
|--|--------|
| HP 3 year 6 hour Call to Repair 24x7 ProLiant ML310e Collaborative Support | U6F77E |
|--|--------|

Additional Options

HP 3 year 6 hour CalltoRepair 24x7 w/Defective Media Retention ProLiant ML310e Collaborative Support U6F78E

Proactive Care Personalized Support Option

NOTE: To add an onsite Account Support Manager (ASM) to Proactive Care. ASM is an assigned resource who delivers support planning and brings technical expertise and best practices advices for the customer's environment.

HP 3 year ISS ProactiveCare Personalized Support U6W98E

Installation Services

NOTE: Reduce the time required to get your system up and running and help minimize disruptions to your business.

HP Install ProLiant ML310e Service U6G21E

HP Startup ProLiant ML310e Service U6G23E

NOTE: For more information, customer/resellers can contact:

<http://www.hp.com/services/carepack>

Memory

NOTE: Memory configurations listed do not apply to "Factory Integrated Models".

HP SmartMemory

New HP SmartMemory now provides additional protection for your servers. With HP Authentication it can verify that you have true HP Qualified Memory in your HP ProLiant Gen8 server. With HP SmartMemory your new HP ProLiant server can take advantage of additional Gen8 enhancements in performance, durability and future manageability support through HP Active Health System

DDR3 memory population guidelines

For detailed memory configuration rules and guidelines, please use the Online DDR3 Memory Configuration Tool:

www.hp.com/go/ddr3memory-configurator

General Guidelines:

- The HP ProLiant ML310e Gen8 Server has four memory slots
- There are two channels per server with two DIMM slots per channel
- Memory channel 1 consists of the two (2) DIMMs that are closest to the processor
- Memory channel 2 consists of the two (2) DIMMs that are furthest from the processor
- Different types of processors have different types of memory support.
- Support for single/dual-rank 1333/1600 MT/s ECC UDIMM (unbuffered DIMMS)
- The server supports up to 32 GB (4 x 8-GB) for Unbuffered DIMMs
- No support for LRDIMMs; RDIMMs; Non-ECC UDIMMs
- Do not install DIMMs if the processor is not installed
- Populate DIMMs from heaviest load (double-rank) to lightest load (single-rank)
- Non-ECC DIMMs are not supported
- Always use HP qualified DIMMs

ML310e Gen8 Supported Memory Bandwidth and Capacity

| DIMM Type | Unbuffered with ECC DIMMs (UDIMMs) | | | | | |
|------------------------------------|------------------------------------|------|----------------|------|--------|------|
| | Single Rank (1R) | | Dual Rank (2R) | | | |
| DIMM Rank | | | | | | |
| DIMM Capacity | 2GB | 2GB | 4GB | 4GB | 8GB | 8GB |
| DIMM Native Speed (MHz) | 1333 | 1600 | 1333 | 1600 | 1333 | 1600 |
| Voltage | LV | Std | LV | Std | LV | Std |
| SLOTS THAT CAN BE POPULATED | | | | | | |
| 4 slot servers | 4 | 4 | 4 | 4 | 4 | 4 |
| MAXIMUM CAPACITY (GB)* | | | | | | |
| | 8 | 8 | 16 | 16 | 32 | 32 |
| POPULATED DIMM SPEED (MHz) | | | | | | |
| 1 DIMM Per Channel | 1333 | 1600 | 1333 | 1600 | 1333 | 1600 |
| 2 DIMM Per Channel | 1333** | 1600 | 1333** | 1600 | 1333** | 1600 |

NOTE: Memory speed is a function of the processor QPI bus speed. To realize the performance memory capabilities listed above HP SmartMemory is required.

* Maximum capacity will vary based on individual server platform qualification schedule

** For HP SmartMemory, UDIMM is supported at 2DPC@1333 at 1.35V. Third party memory may only support up to 2DPC@1066 at 1.5V.

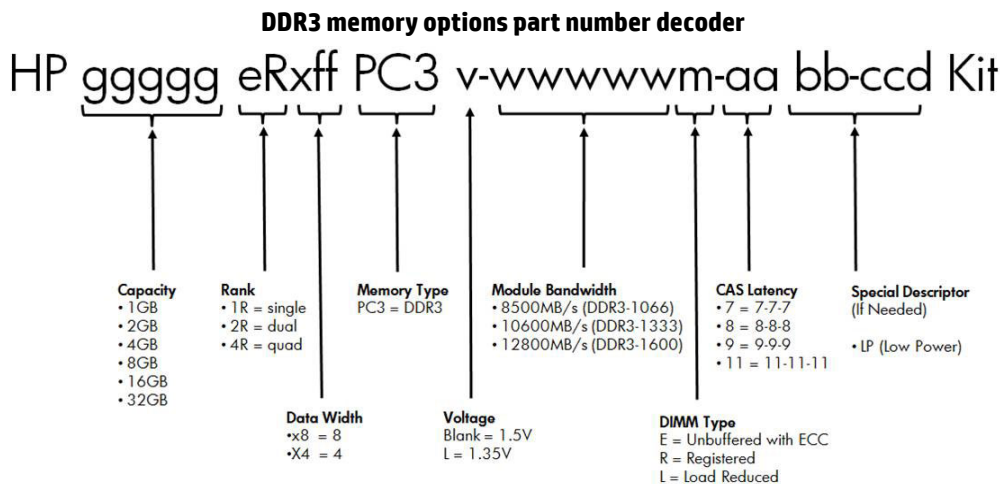
Memory

| Memory | | Slot | | | |
|--|--------------|--------|--------|--------|--------|
| | | DIMM1C | DIMM2A | DIMM3D | DIMM4B |
| Standard (Base Model) | 2 GB | Empty | 2 GB | Empty | Empty |
| Standard (Performance Model) | 4 GB | Empty | 4 GB | Empty | Empty |
| Maximum | 32 GB | 8 GB | 8 GB | 8 GB | 8 GB |

| Memory Speed by Processor Model | |
|---|-------------------------|
| Processor Models | Supported Memory Speeds |
| E3-1220Lv2, E3-1220v2, E3-1230v2, E3-1240v2, E3-1270v2, E3-1280v2, i3-3240, i3-3220 | 1600/1333/1066MHz |
| G2120 | 1333/1066MHz |
| G540 | 1066MHz |

NOTE: Capacity references are rounded to the common Gigabyte values.

- 2GB = 2048MB
- 4GB = 4096MB
- 8GB = 8192MB



Following are memory options available from HP:

HP Memory

Unbuffered with ECC DIMMs (UDIMMs)

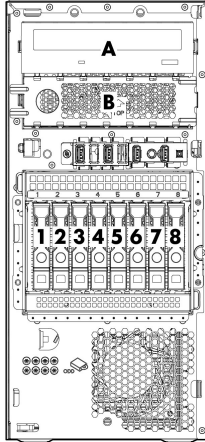
| | |
|---|------------|
| HP 2GB (1x2GB) Single Rank x8 PC3-12800E (DDR3-1600) Unbuffered CAS-11 Memory Kit | 669320-B21 |
| HP 2GB (1x2GB) Single Rank x8 PC3L-10600E (DDR3-1333) Unbuffered CAS-9 Low Voltage Memory Kit | 647905-B21 |
| HP 4GB (1x4GB) Dual Rank x8 PC3-12800E (DDR3-1600) Unbuffered CAS-11 Memory Kit | 669322-B21 |

Memory

| | |
|---|------------|
| HP 4GB (1x4GB) Dual Rank x8 PC3L-10600E (DDR3-1333) Unbuffered CAS-9 Low Voltage Memory Kit | 647907-B21 |
| HP 8GB (1x8GB) Dual Rank x8 PC3-12800E (DDR3-1600) Unbuffered CAS-11 Memory Kit | 669324-B21 |
| HP 8GB (1x8GB) Dual Rank x8 PC3L-10600E (DDR3-1333) Unbuffered CAS-9 Low Voltage Memory Kit | 647909-B21 |

NOTE: All DDR3 memory option kits consist of one DIMM per kit. For detailed memory configuration rules and guidelines, please use the Online DDR3 Memory Configuration Tool: www.hp.com/go/ddr3memory-configurator.

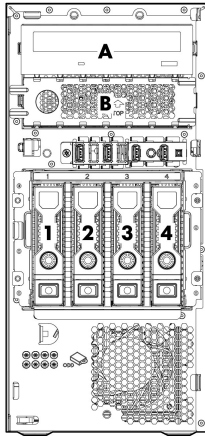
Storage



1 - 8 8 x 2.5" (SFF) SAS/SATA hard drive bays

A Removable Optical Drive

B Removable Optical Drive
NOTE. Once Redundant Power Supply is installed, Bay A will be the only media bay available for use.



1 - 4 4 x 3.5" (LFF) SAS/SATA hard drive bays

A Removable Optical Drive

B Removable Optical Drive
NOTE. Once Redundant Power Supply is installed, Bay A will be the only media bay available for use.

External Storage

| | Quantity Supported | Position Supported | Controller |
|----------------------|--------------------|--------------------|--|
| D2600 Disk Enclosure | Up to 4 | External | HP Smart Array P222/512MB FBWC Controller |
| | Up to 8 | External | HP Smart Array P421/1GB FBWC Controller HP Smart Array P421/2GB FBWC Controller |
| D2700 Disk Enclosure | Up to 4 | External | HP Smart Array P222/512MB FBWC Controller |
| | Up to 8 | External | HP Smart Array P421/1GB FBWC Controller HP Smart Array P421/2GB FBWC Controller |

Technical Specifications

| | | | |
|--|---|---|--|
| System Unit | Tower Dimensions (H x W x D) (with feet/bezel) | 14.5.x 6.89 x 18.71 in (36.82 x17.5 x 47.52 cm) | |
| | Tower Weight (approximate) | Maximum (all hard drives, power supplies, and processors installed) | 41.8 lb (18.96 kg) |
| | | Minimum (one hard drive, power supply, and processor installed) | 25.29 lb (11.47 kg) |
| Input Requirements (per power supply) | Input Requirements (per power supply) | Rated Line Voltage | 100 to 240 VAC |
| | | Rated Input Current | 7.1 Amps (at 120VAC) to 3.5 Amps (at 240 VAC) |
| | | Rated Input Frequency | 50 to 60 Hz |
| | | Rated Input Power | 486 W |
| BTU Rating | | Maximum | 460W - 1773 BTU / hr (at 120 VAC), 1715 (at 240 VAC) |
| Power Supply Output (per power supply) | Power Supply Output (per power supply) | Rated Steady-State Power | 350 W (at 100 VAC), 350 W (at 200 VAC) |
| | | Maximum Peak Power | 350 W (at 100 VAC), 350 W (at 200 VAC) |
| System Inlet Temperature | System Inlet Temperature | Operating | 10° to 35°C (50° to 95°F) at sea level with an altitude derating of 1.0°C per every 304.8 m (1.8°F per every 1000 ft) above sea level to a maximum of 3048 m (10,000 ft), no direct sustained sunlight. Maximum rate of change is 10°C/hr (18°F/hr). The upper limit may be limited by the type and number of options installed. System performance may be reduced if operating with a fan fault or above 30°C (86°F). |
| | | Non-operating | -30° to 60°C (-22° to 140°F). Maximum rate of change is 20°C/hr (36°F/hr). |
| Relative Humidity (non-condensing) | Relative Humidity (non-condensing) | Operating | 10 to 90% relative humidity (Rh), 28°C (82.4°F) maximum wet bulb temperature, non-condensing. |
| | | Non-operating | 5 to 95% relative humidity (Rh), 38.7°C (101.7°F) maximum wet bulb temperature, non-condensing. |
| Altitude | Altitude | Operating | 3048 m (10,000 ft). This value may be limited by the type and number of options installed. Maximum allowable altitude change rate is 457 m/min (1500 ft/min). |
| | | Non-operating | 9144 m (30,000 ft). Maximum allowable altitude change rate is 457 m/min (1500 ft/min). |
| Acoustic Noise | Acoustic Noise | Listed are the declared A-Weighted sound power levels (LWA _d) and declared average bystander position A-Weighted sound pressure levels (LpA _m) when | |

Technical Specifications

the product is operating in a 23°C ambient environment. Noise emissions were measured in accordance with ISO 7779 (ECMA 74) and declared in accordance with ISO 9296 (ECMA 109).

Idle

L WAd 4.3 B

L pAm 26dB-A

Operating

L WAd 4.4 B

L pAm 28dB-A

NOTE: The Listed sound levels apply to standard shipping configurations. Additional options may result in increased sound levels.

Emissions Classification (EMC)

FCC Rating Class B

Normative Standards CISPR 22; EN55022; EN55024; FCC CFR 47, Pt 15; ICES-003; CNS13438; GB9254; K22;K24; EN 61000-3-2; EN 61000-3-3; EN 60950-1; IEC 60950-1

NOTE: Product conformance to cited product specifications is based on sample (type) testing, evaluation, or assessment. This product or family of products is eligible to bear the appropriate compliance logos and statements.

HP Dynamic Smart Array B120i Controller

Dimensions

Embedded

Disk Drive and Enclosure Interface - Transfer rate

Up to 6Gb/s SATA (Serial ATA)

Connectors

6 internal SATA connectors

Server Interface

x4 PCIe 2.0

SATA Speed

6Gb/s SATA links

Cache Memory

Zero Memory RAID has no cache memory
optional 40-bit 512MB ECC protected Flash Backed Write Cache (FBWC)

Logical Drives Supported

Up to 8 logical volumes (6 physical drives)

Host Memory Addressing

64-bit, supporting greater than 4GB server memory space

Hot Plug Support

Yes

RAID Support

RAID 0 (Striping), RAID 1 (Mirroring)
RAID 1+0 (Striping & Mirroring)
RAID 5 with optional 512MB FBWC

NOTE: 512 MB cache is required to enable RAID 5 support.

NOTE: NO SAS supported.

Technical Specifications

| | | | | |
|--|------------------------------|--|--------------------------------------|--|
| HP Ethernet 1Gb 2-port 330i Adapter | Network Interface | 10Base-T/100Base-TX/1000Base-TX | | |
| | Compatibility | IEEE 802.3 10Base-T | | |
| | | IEEE 802.3ab 1000Base-T | | |
| | | IEEE 802.3u 100Base-TX | | |
| | Data Transfer Method | PCI-e, two lanes (x2) | | |
| | Controller | BCM5717 | | |
| | Network Transfer Rate | 10Base-T (Half-Duplex) | 10 Mb/s per port, 20 Mb/s Combined | |
| | | 10Base-T (Full-Duplex) | 20 Mb/s per port, 40 Mb/s Combined | |
| | | 100Base-TX (Half-Duplex) | 100 Mb/s per port, 200 Mb/s Combined | |
| | | 100Base-TX (Full-Duplex) | 200 Mb/s per port, 400 Mb/s Combined | |
| 1000Base-TX (Half-Duplex) | | 1000Mb/s per port, 2000 Mb/s Combined | | |
| | 1000 Base-TX (Full-Duplex) | 2000Mb/s per port, 4000 Mb/s Combined | | |
| Connector | RJ-45 | | | |
| Cable Support | 10Base-T | Categories 3, 4 or 5 UTP; up to 328 ft (100 m) | | |
| | 10/100/1000Base-TX | Category 5 or better; up to 328 ft (100 m) | | |

Environment-friendly Products and Approach **End-of-life Management and Recycling** Hewlett-Packard offers end-of-life HP product return, trade-in, and recycling programs in many geographic areas. For trade-in information, please go to: <http://www.hp.com/go/green>. To recycle your product, please go to: <http://www.hp.com/go/green> or contact your nearest HP sales office. Products returned to HP will be recycled, recovered or disposed of in a responsible manner.

The EU WEEE directive (2002/95/EC) requires manufacturers to provide treatment information for each product type for use by treatment facilities. This information (product disassembly instructions) is posted on the Hewlett Packard web site at: <http://www.hp.com/go/green>. These instructions may be used by recyclers and other WEEE treatment facilities as well as HP OEM customers who integrate and re-sell HP equipment.

© Copyright 2013 Hewlett-Packard Development Company, L.P.

The information contained herein is subject to change without notice.

Microsoft and Windows NT are US registered trademarks of Microsoft Corporation. Intel is a US registered trademark of Intel Corporation.

The only warranties for HP products and services are set forth in the express warranty statements accompanying such products and services. Nothing herein should be construed as constituting an additional warranty. HP shall not be liable for technical or editorial errors or omissions contained herein.

For hard drives, 1GB = 1 billion bytes. Actual formatted capacity is less.